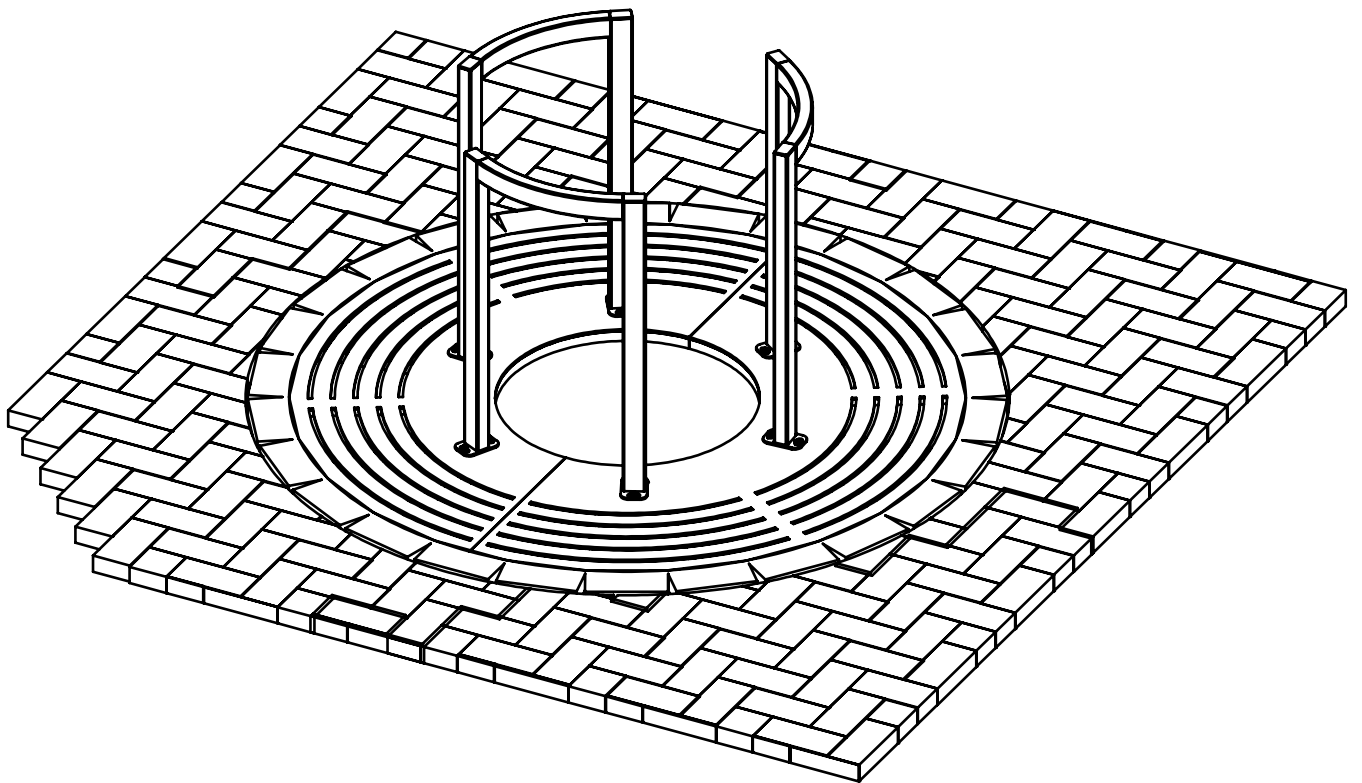
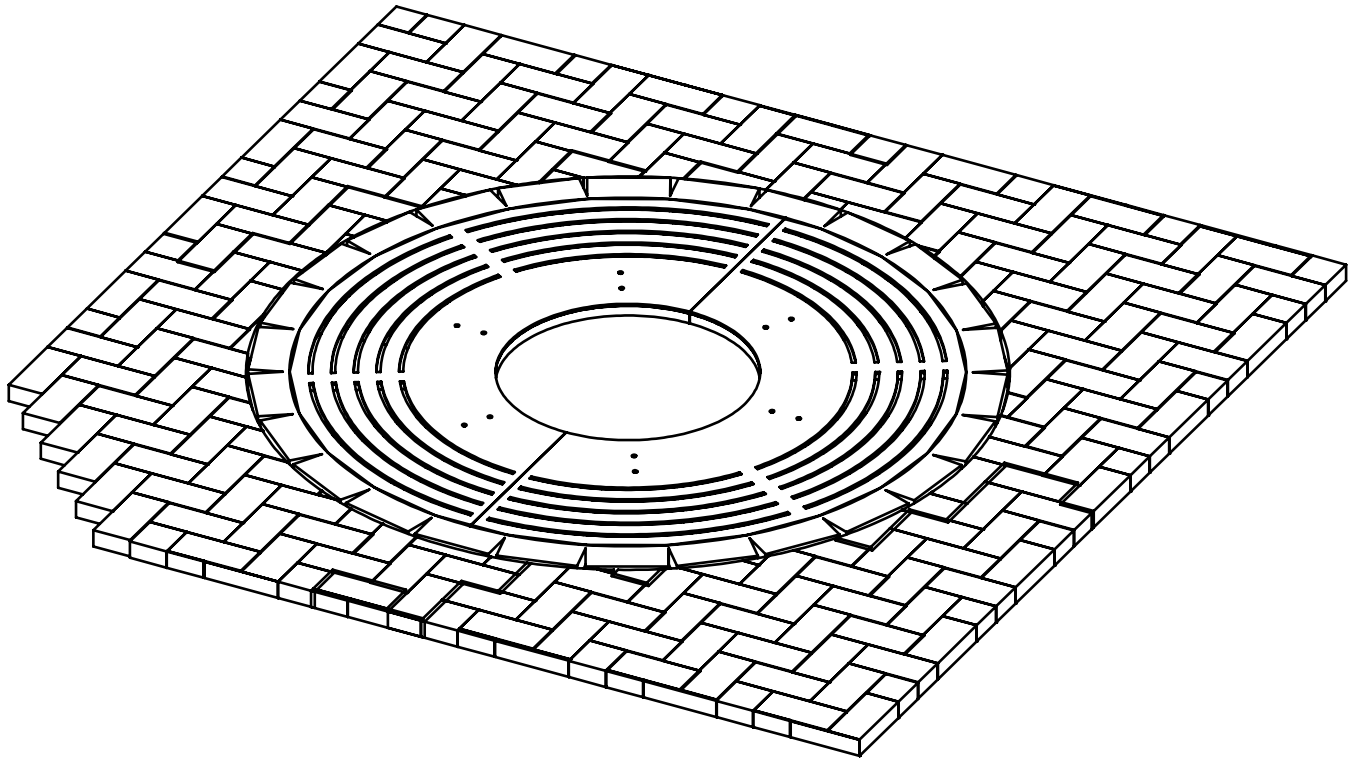
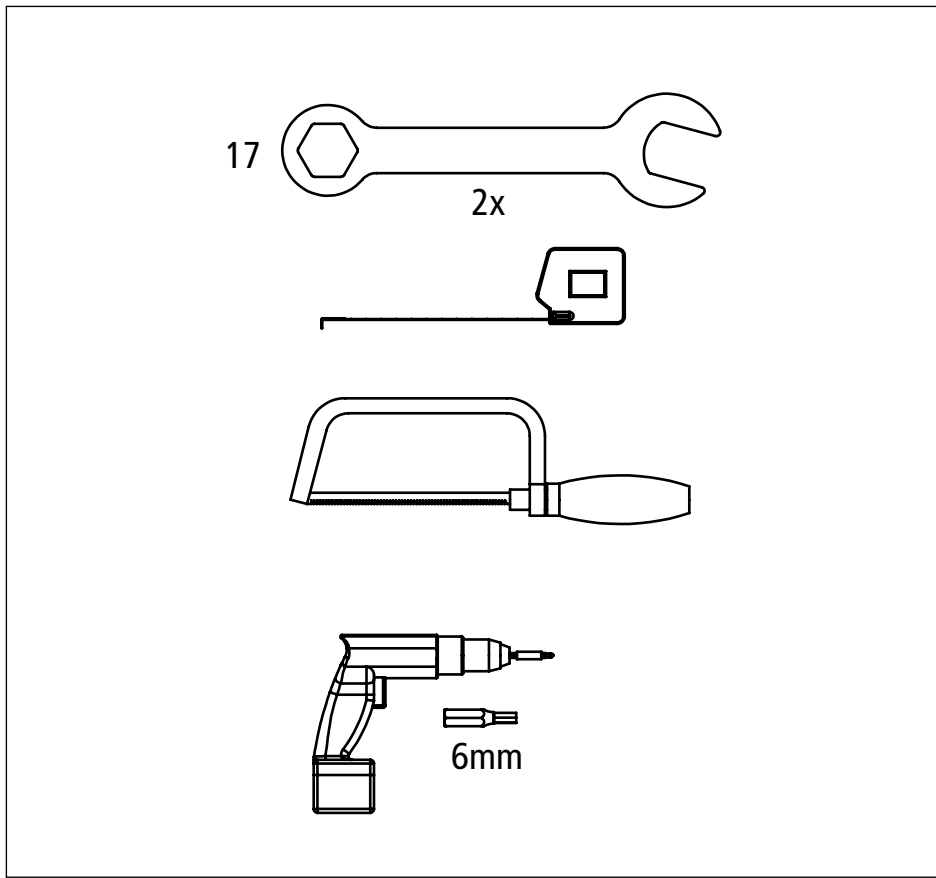


# Scala tree grilles round 1800



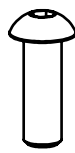
LET'S GO OUTSIDE



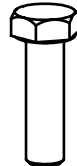
DIN 985-M10



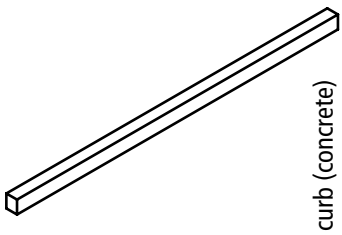
DIN 125-M10



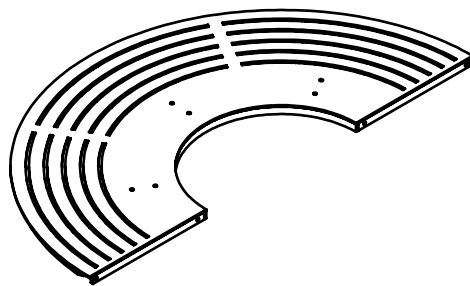
ISO7380-M10x30



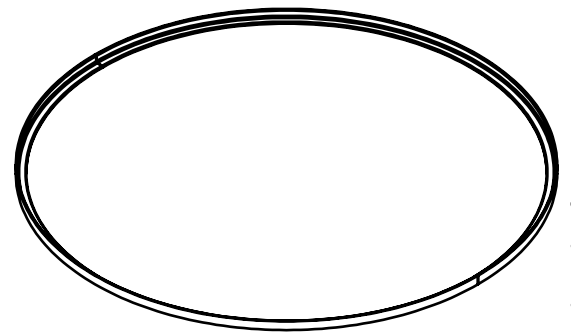
DIN912-M10x30



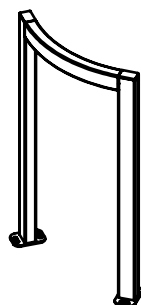
curb (concrete)



Scala tree grilles circle - half

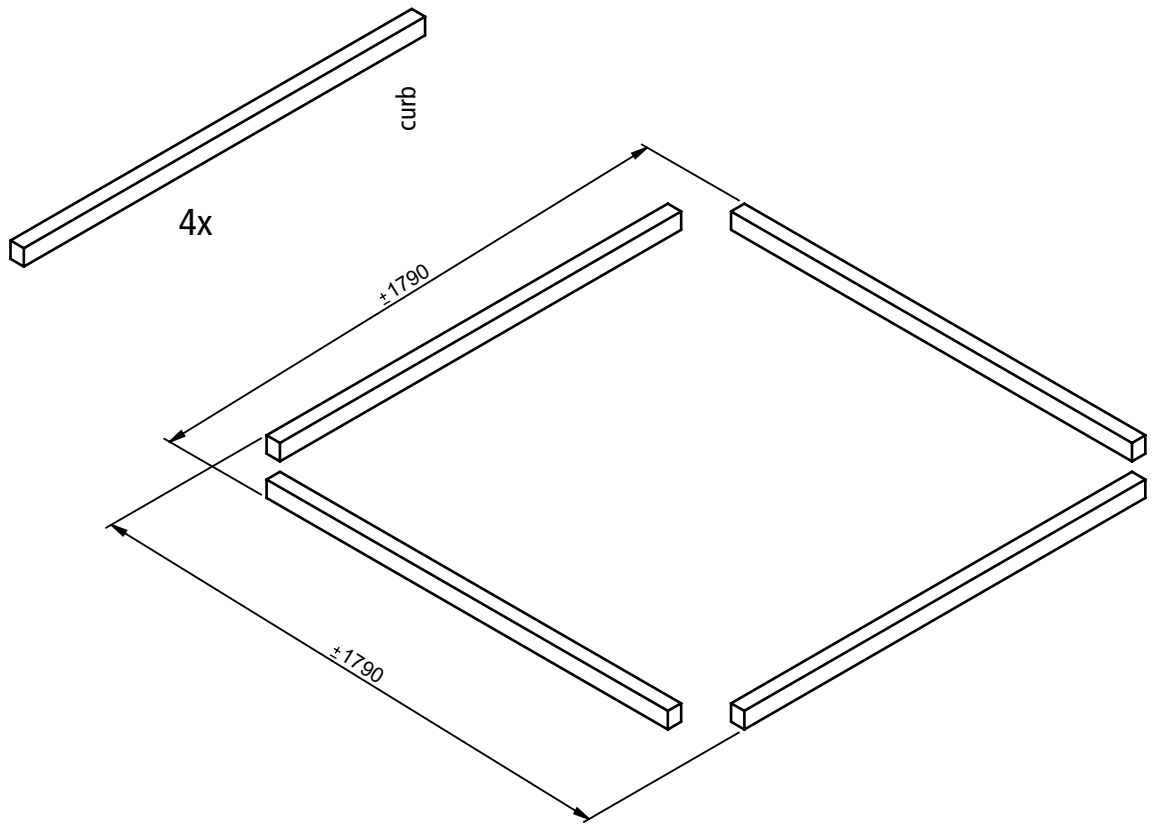


Scala circle - frame

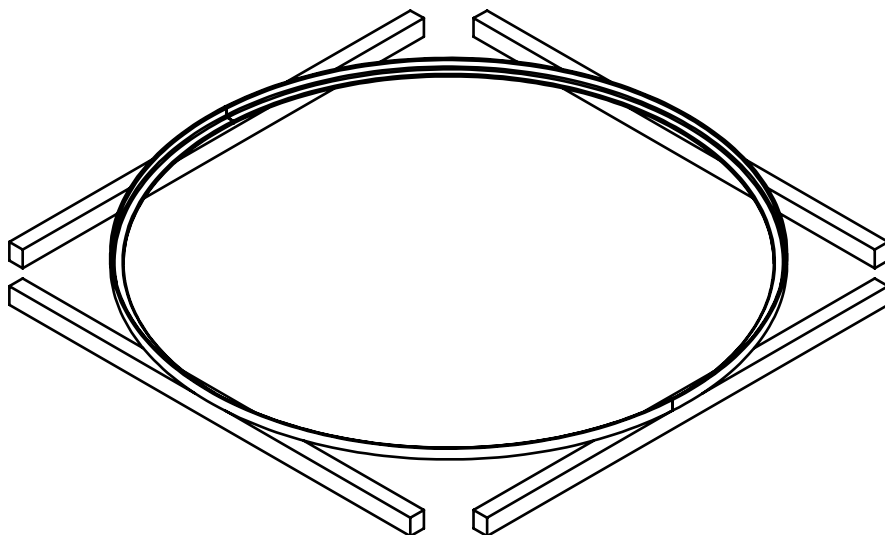


Scala circle - fence

1



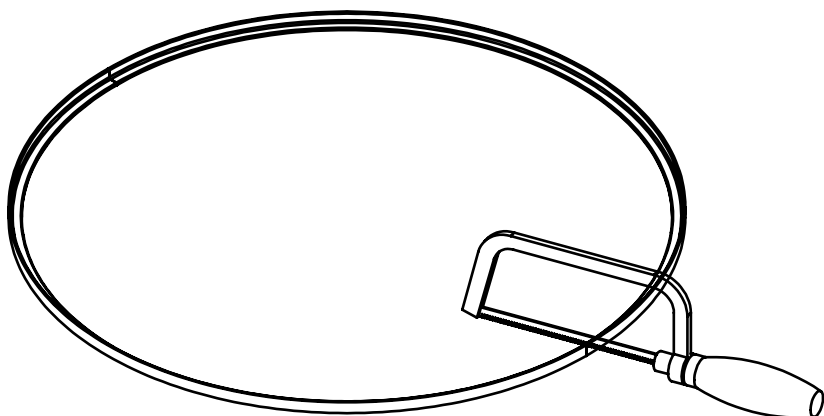
2\*



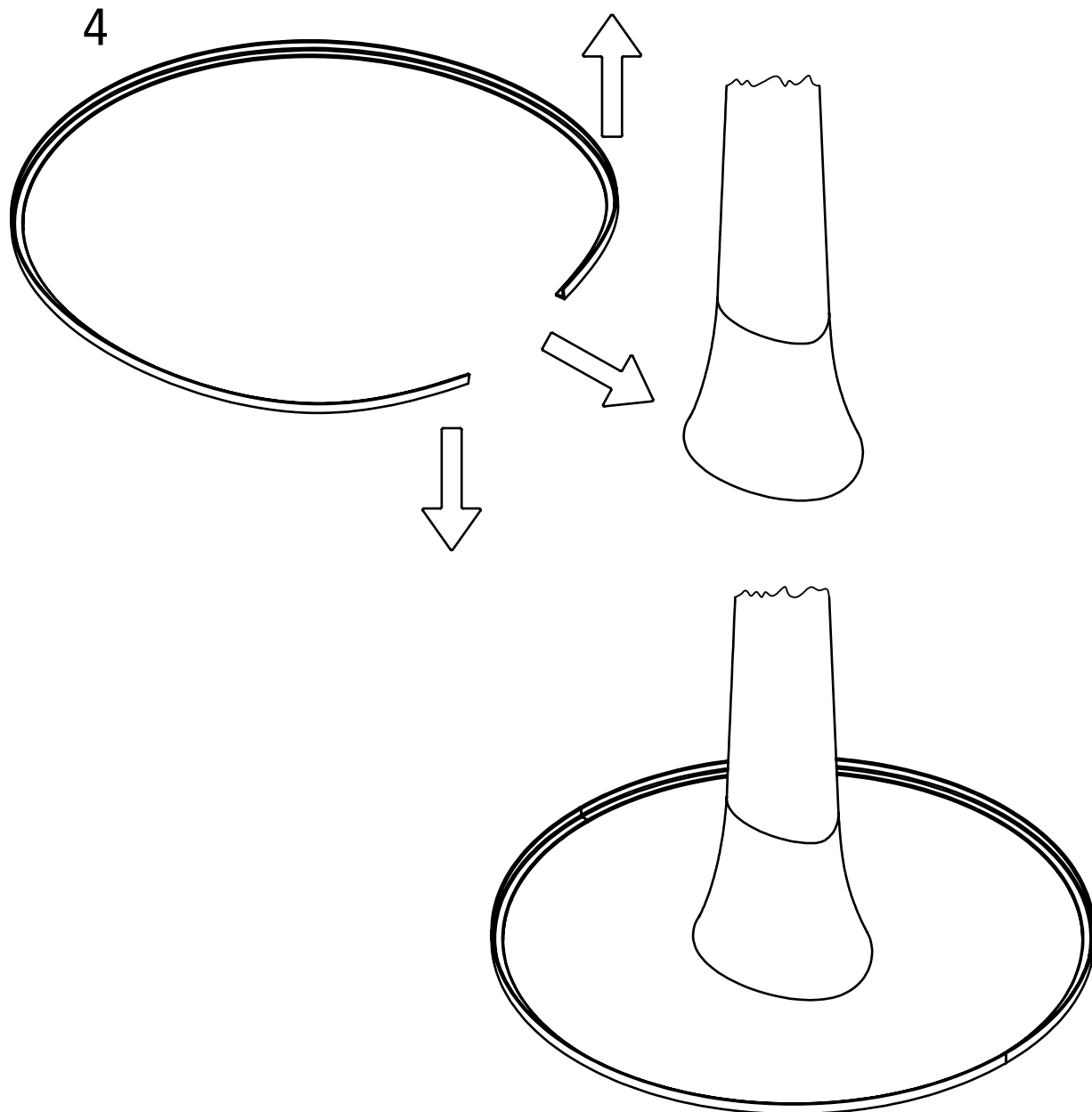
Scala circle - frame 1800

\* If there is a tree follow, steps 3 to 5. If not, go to step 6

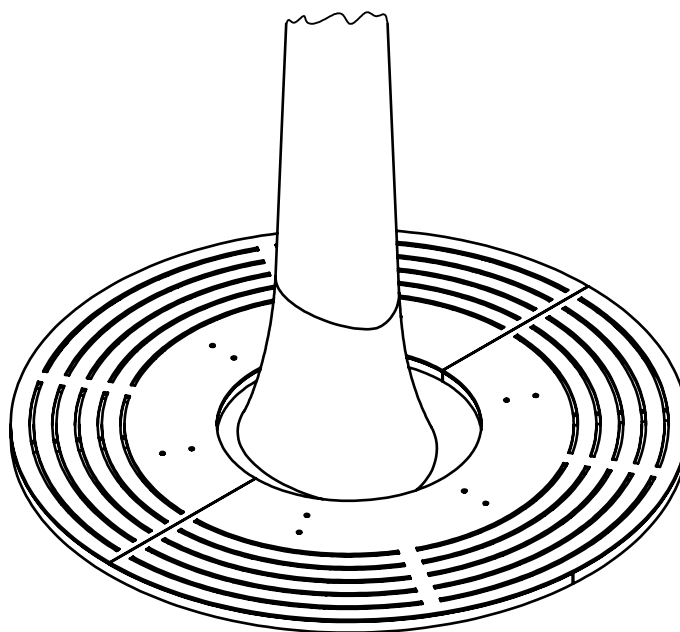
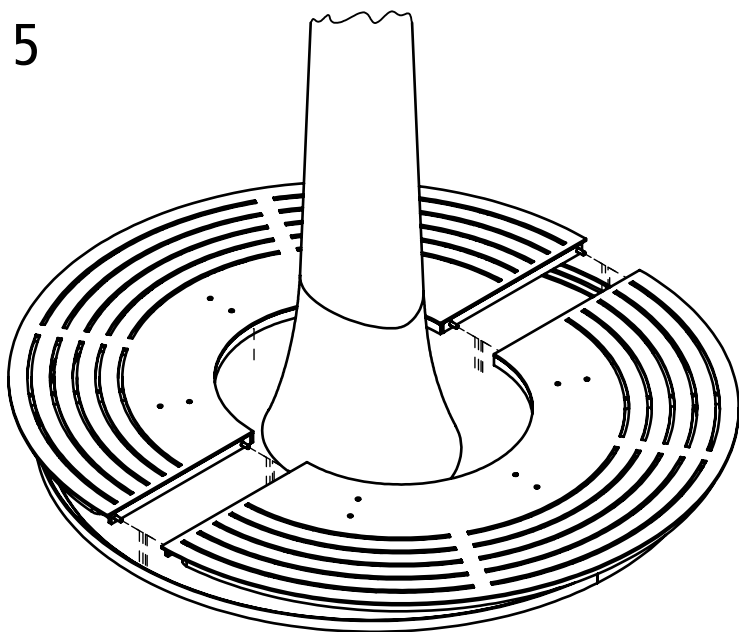
3



4

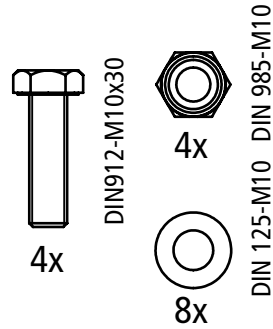
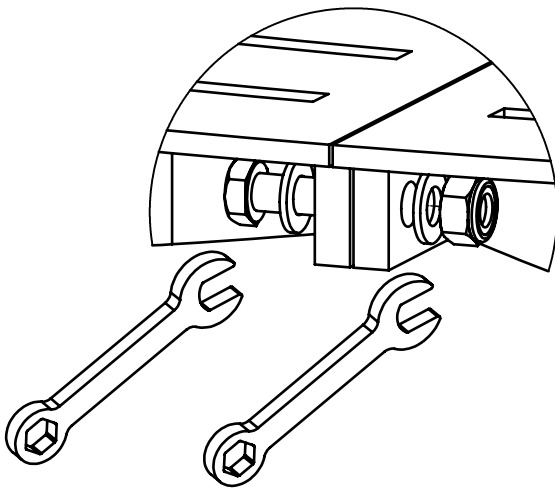
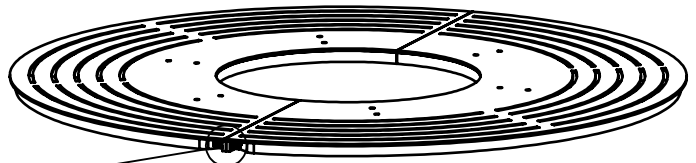
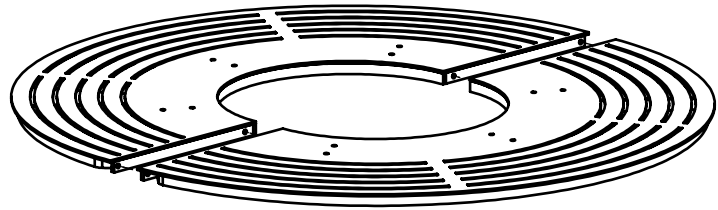


5

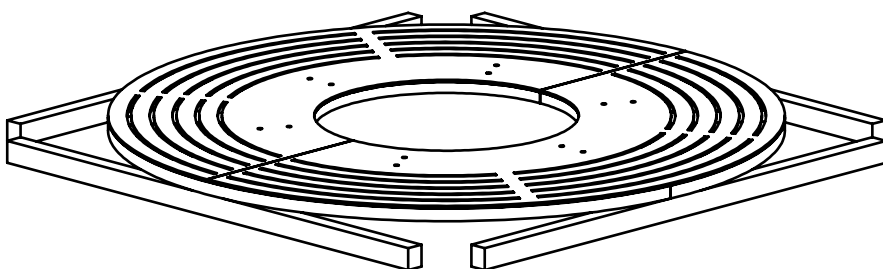
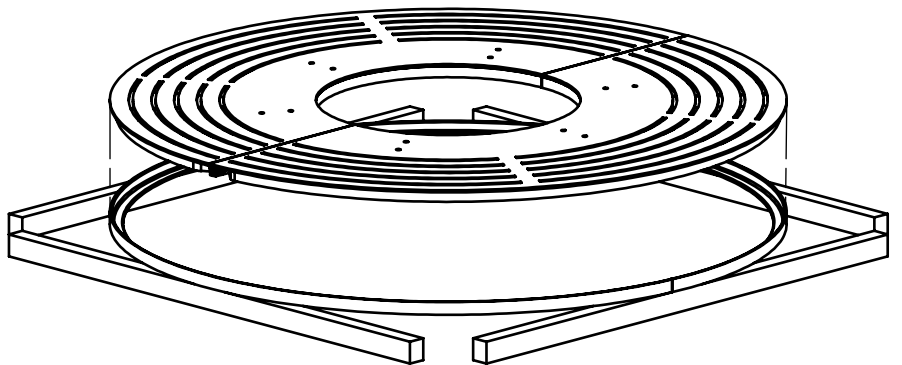


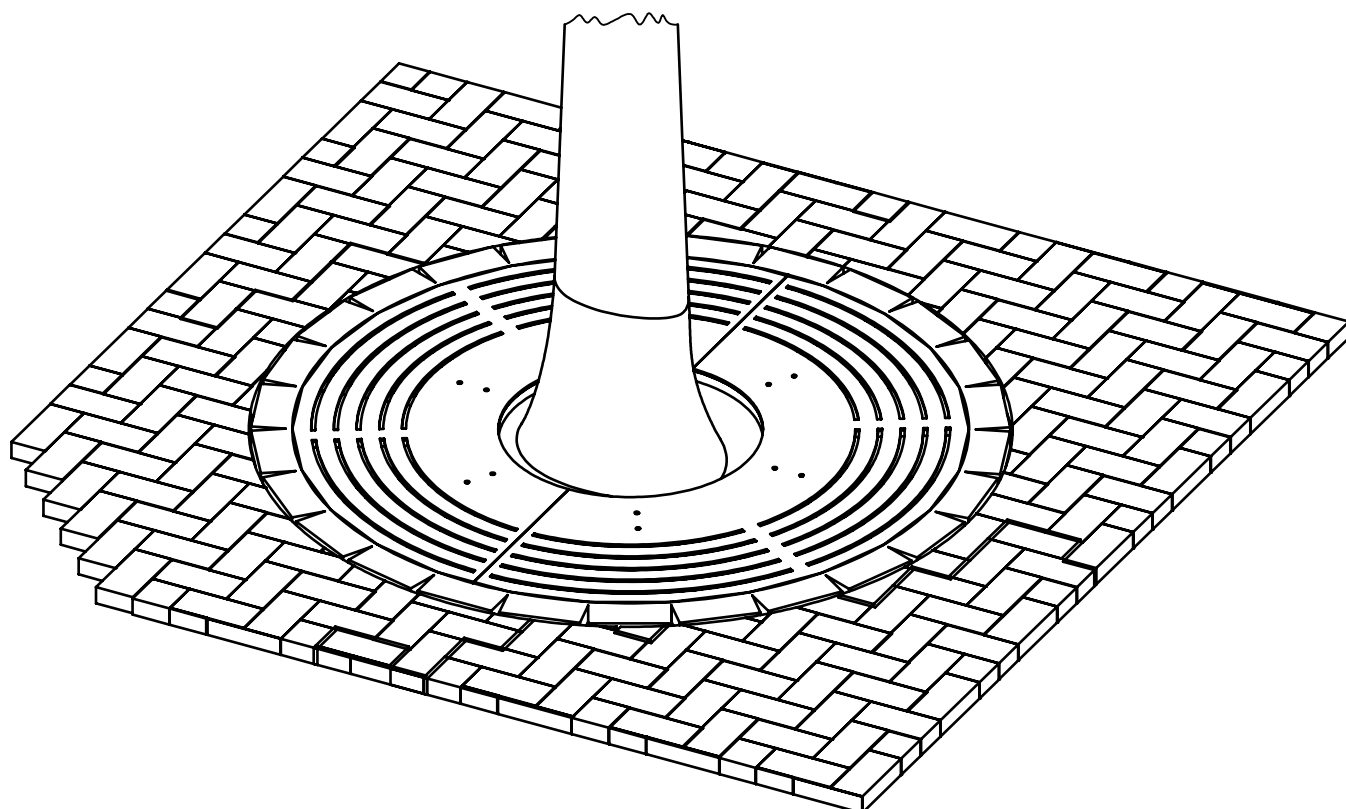
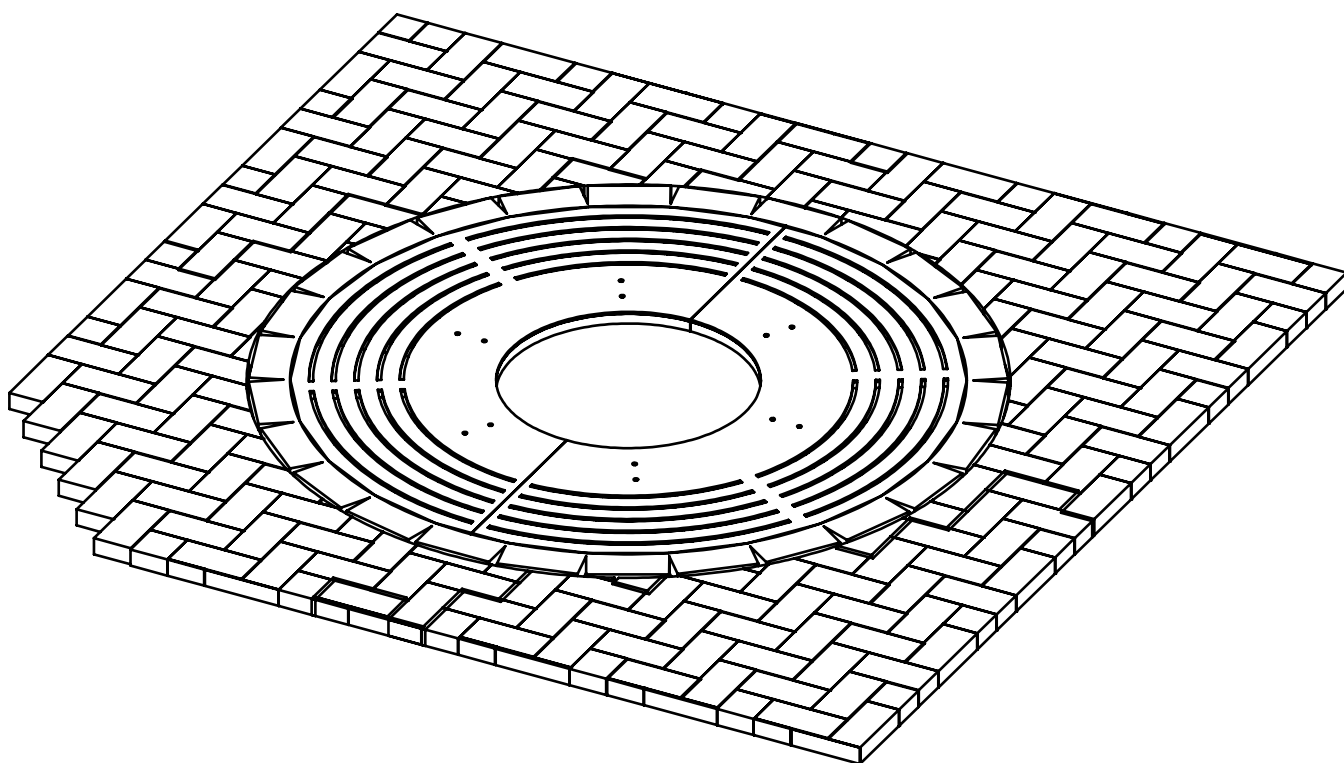
Scala tree grilles circle -half

6



7





8

