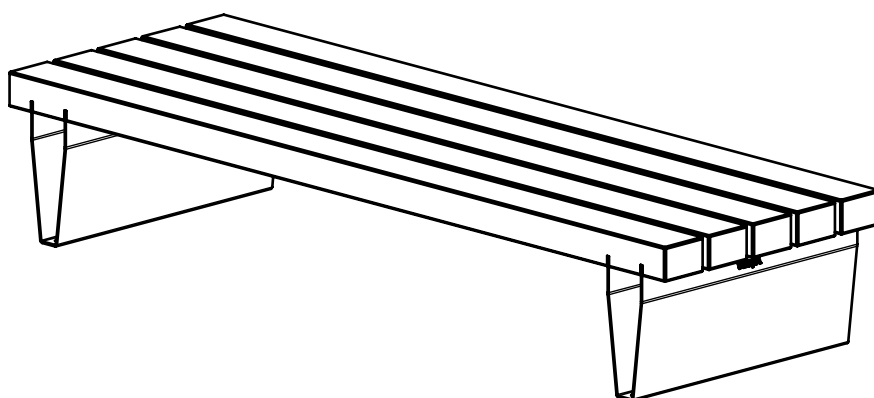
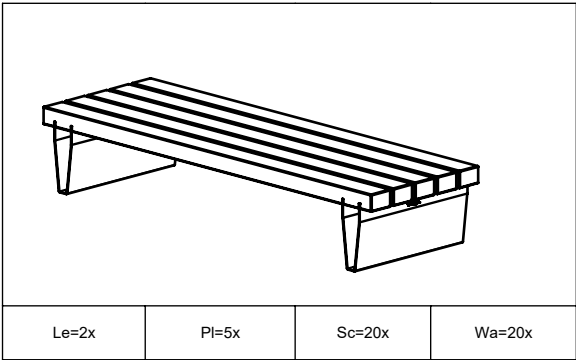
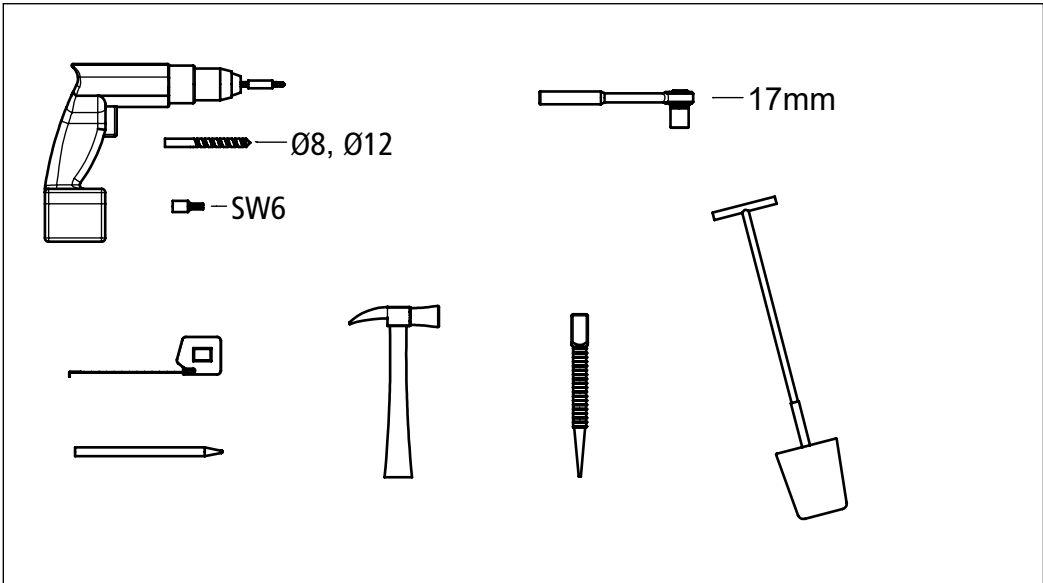
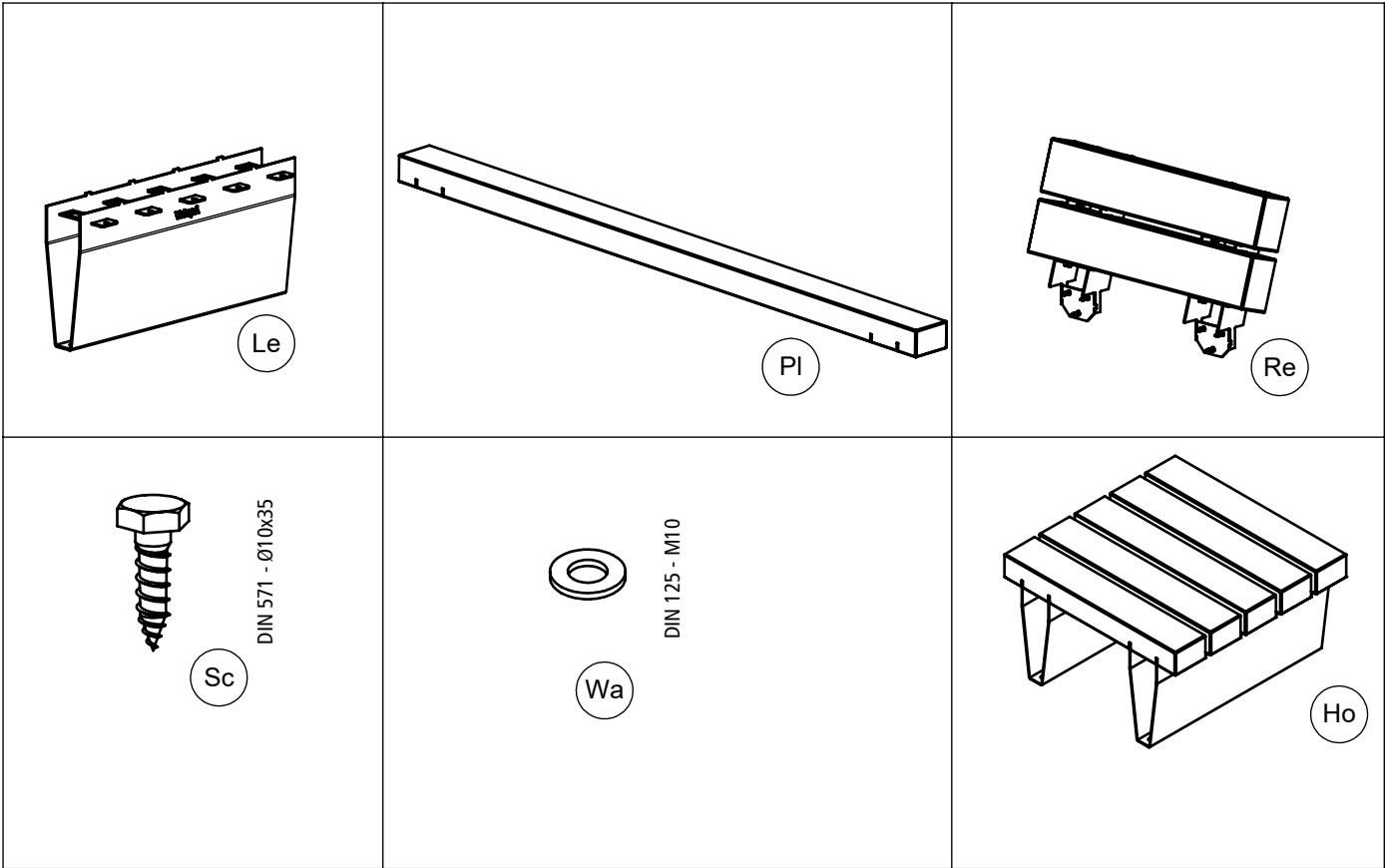
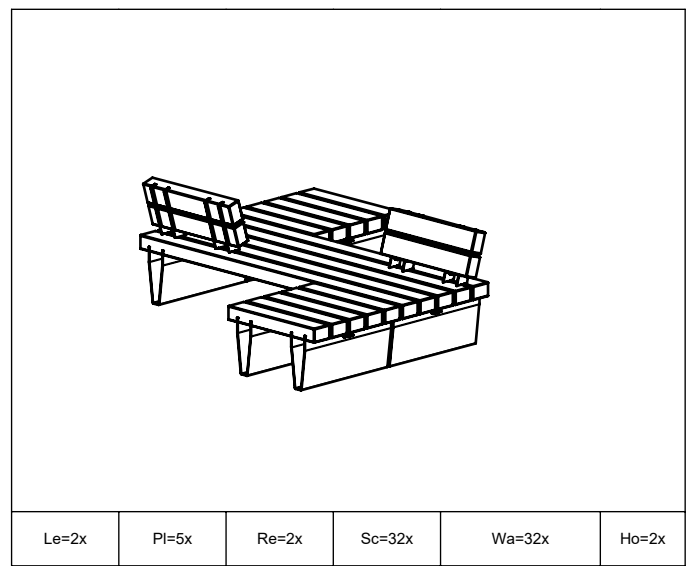
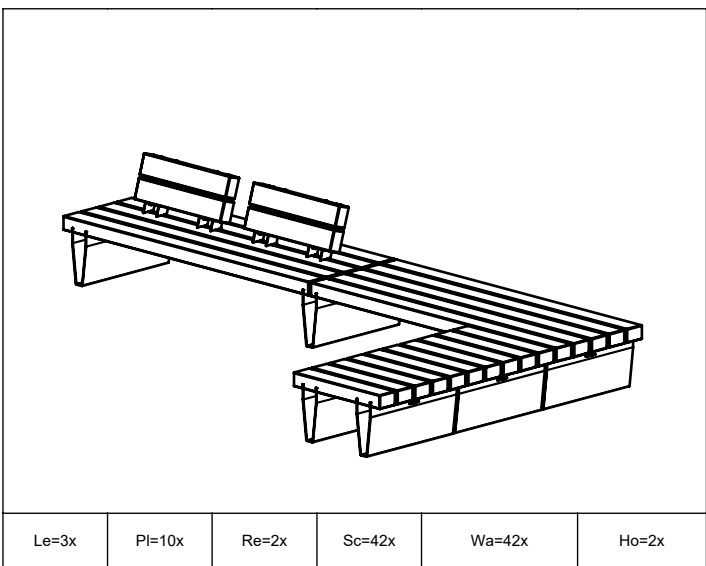
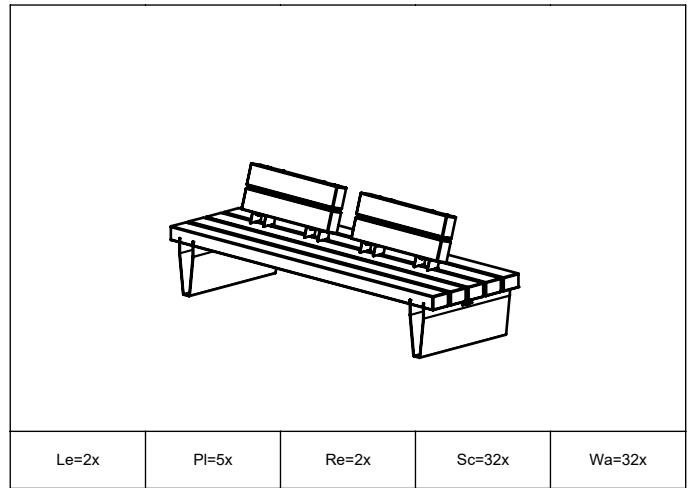
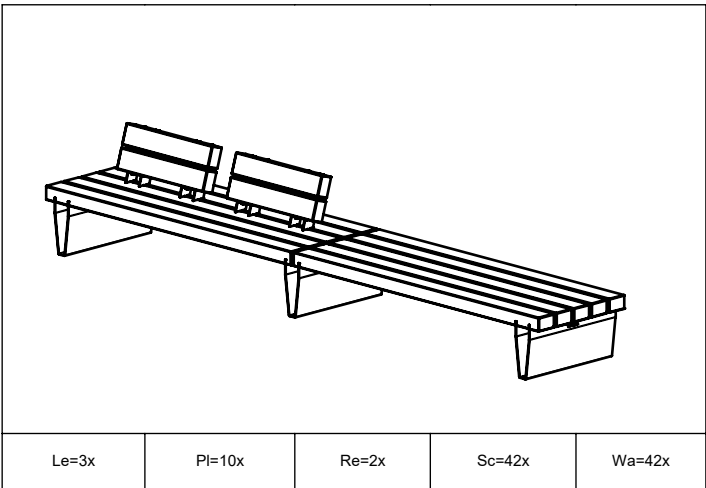
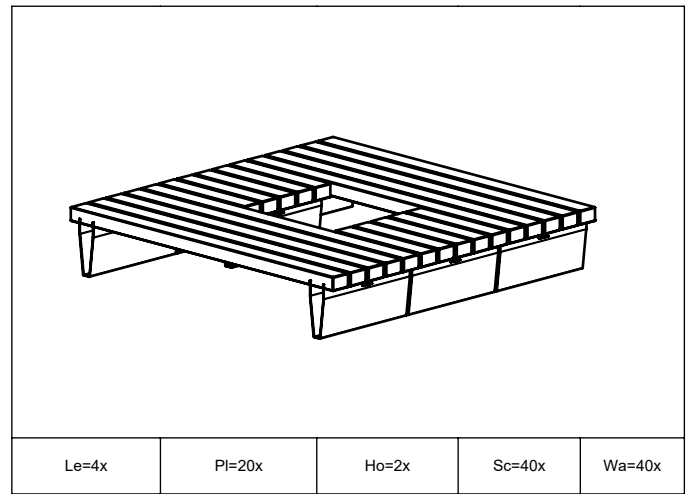
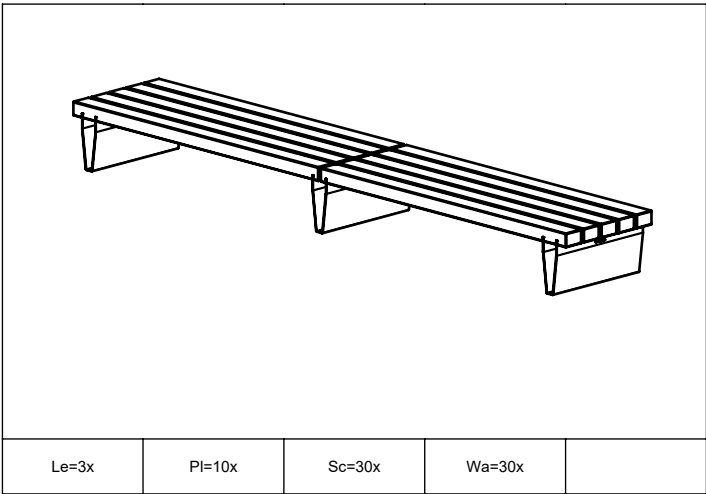


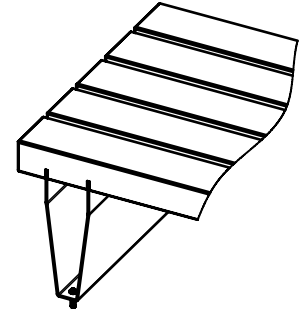
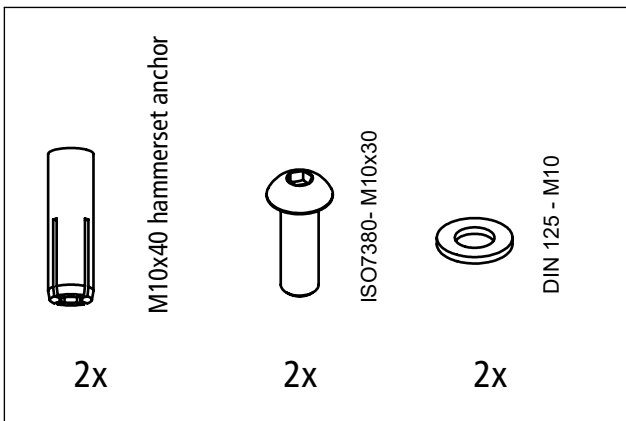
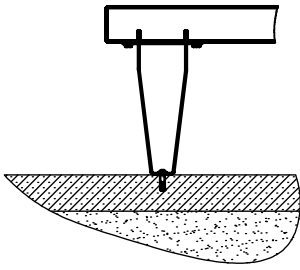
Robust line





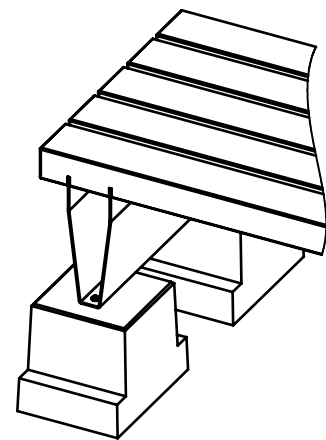
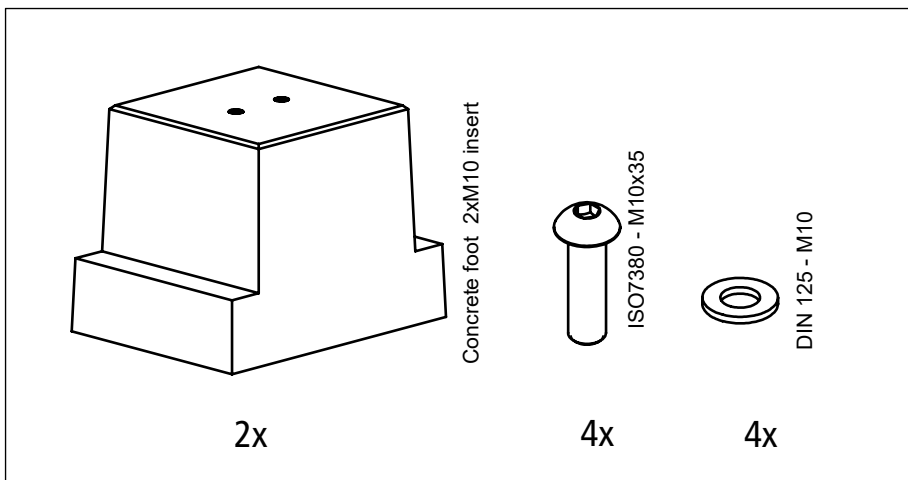
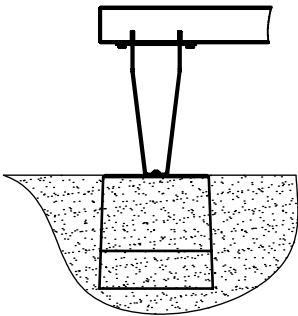


A. Robust Line on surface



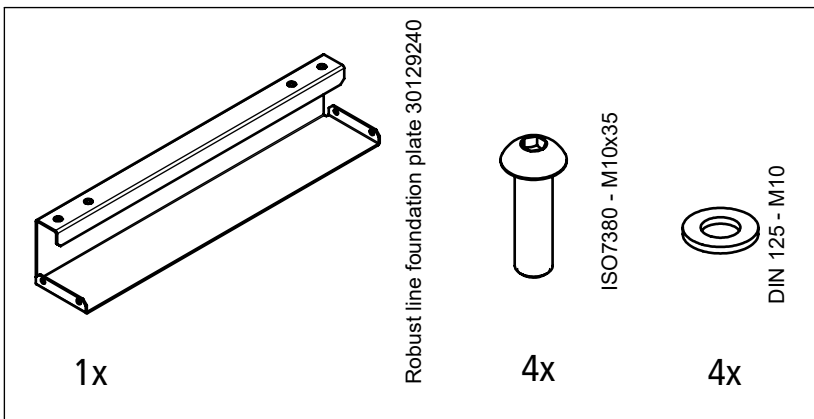
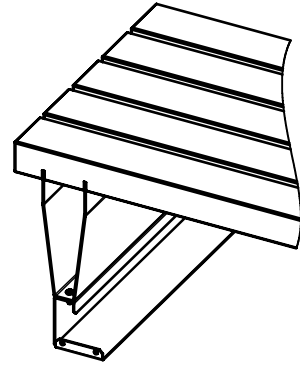
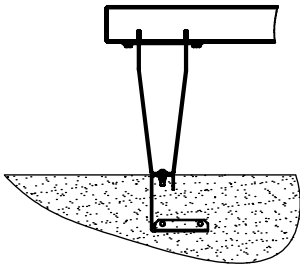
page 6-7

B. Robust Line on concrete foot



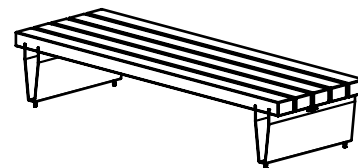
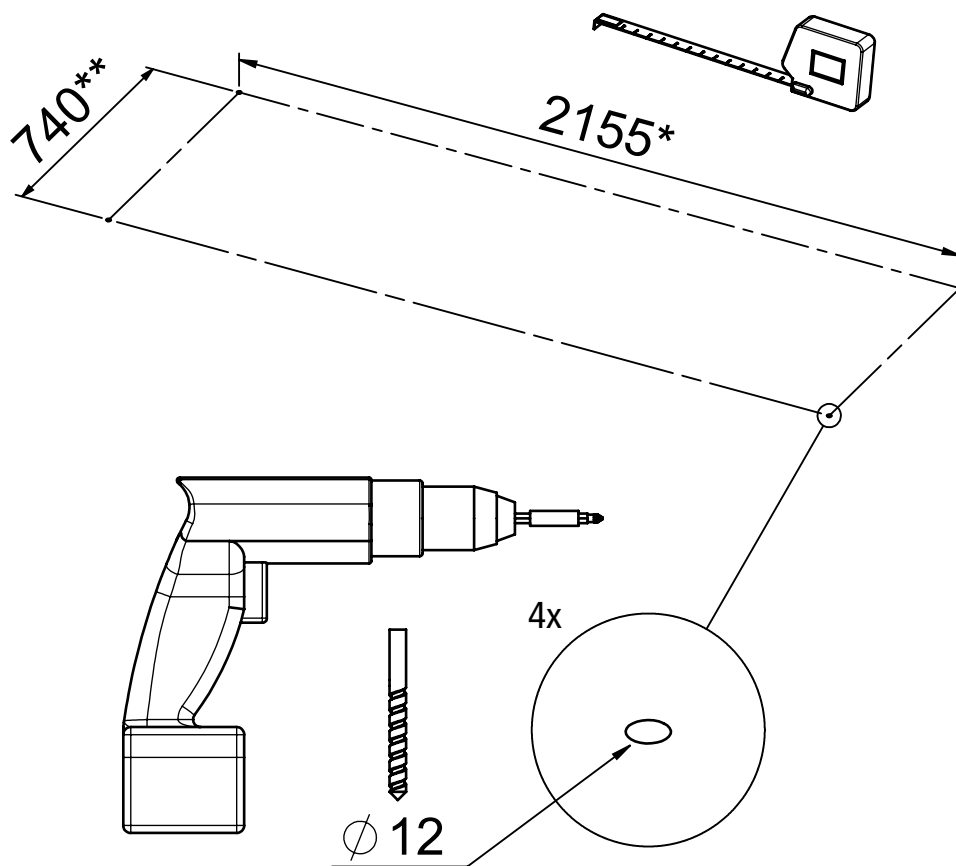
page 8-9

C. Robust Line on metal sheet



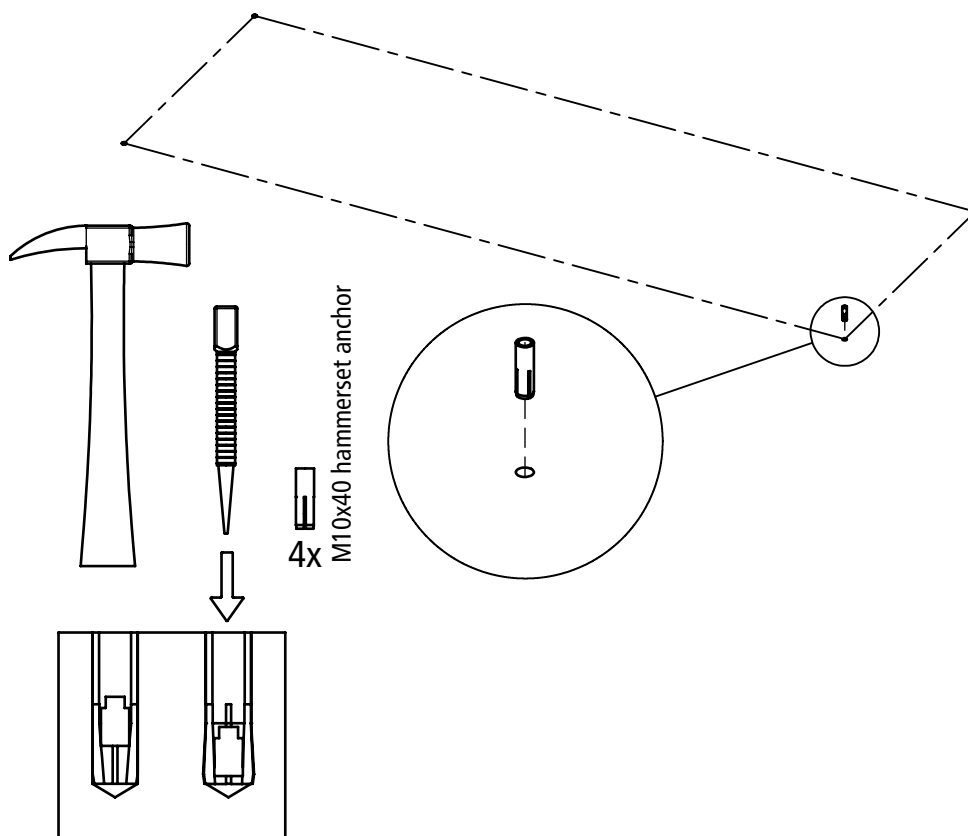
page 10-11

1A.

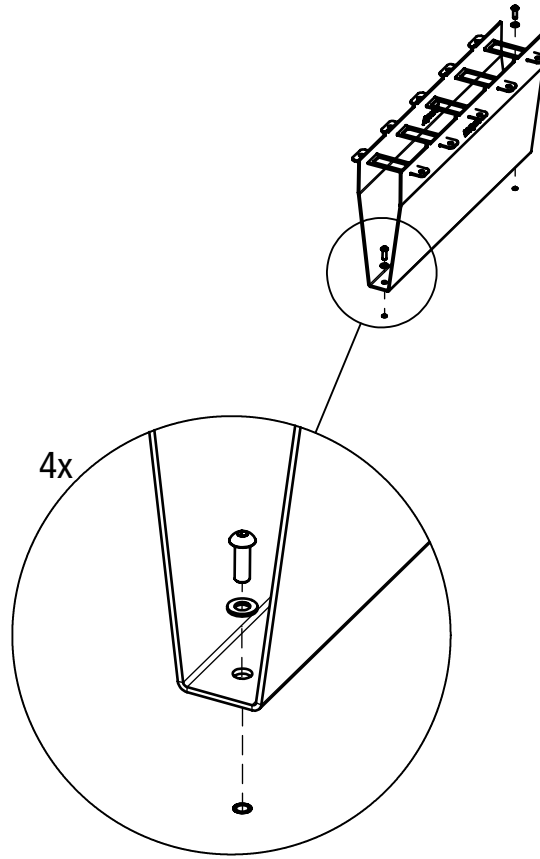
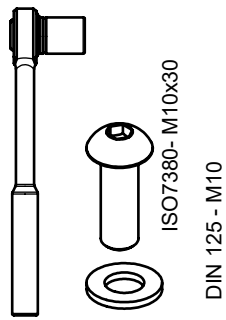
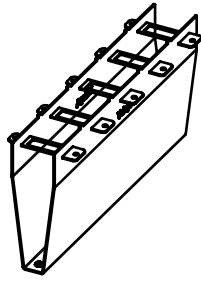


Foundation measurements	
Version	Hocker
Length*	505mm
Width**	740mm

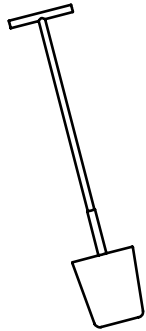
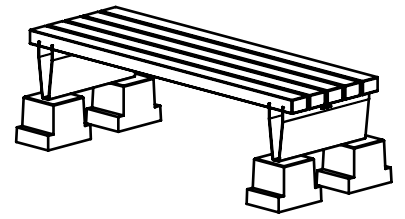
2A.



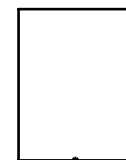
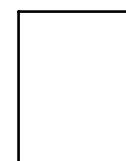
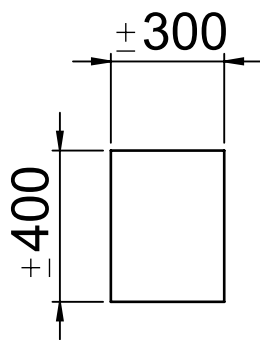
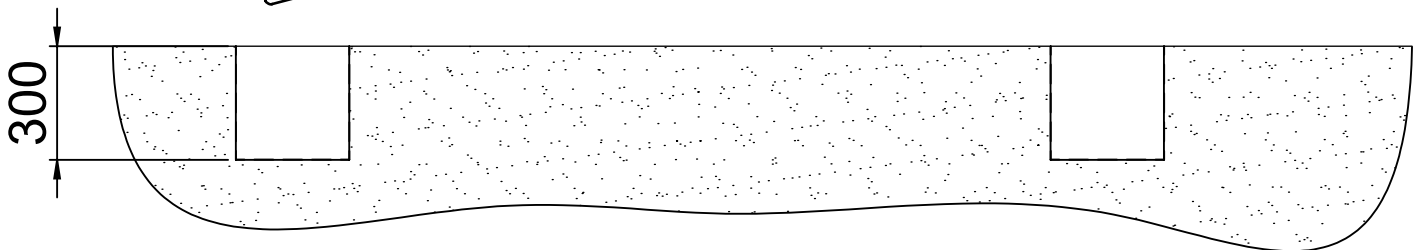
3A.



1B.



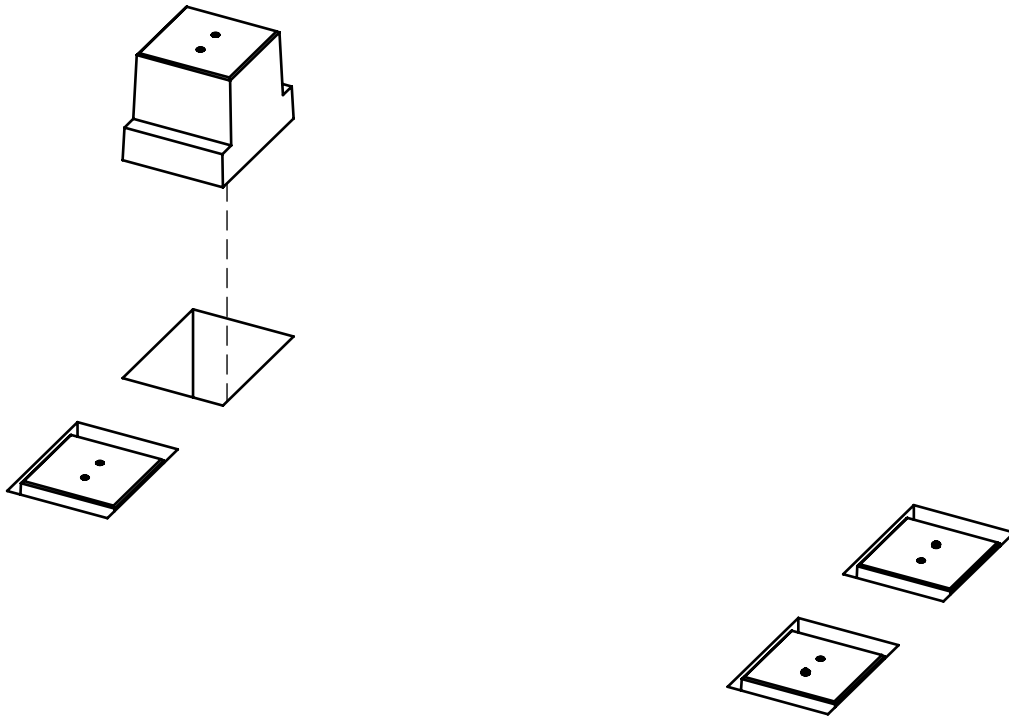
Foundation measurements	
Version	Hocker
Length	505*
Width	655**



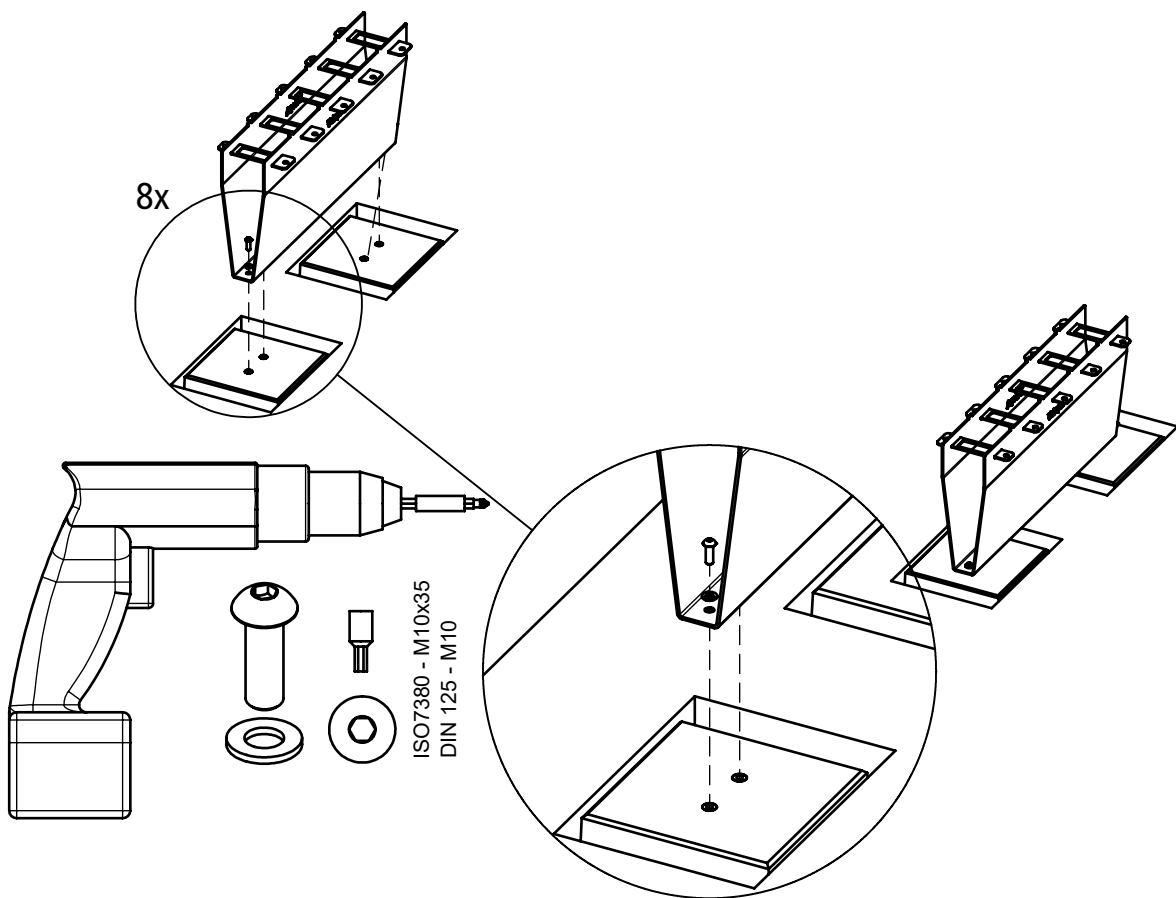
655**

2155*

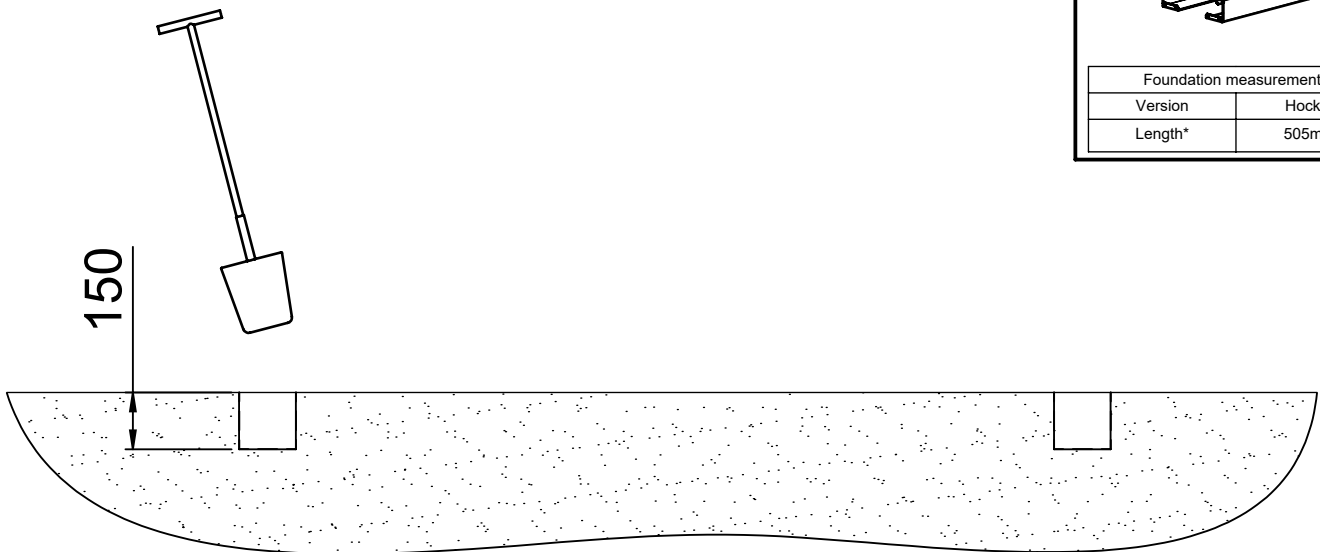
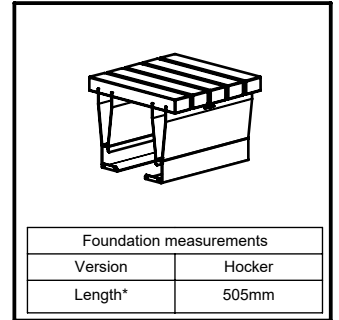
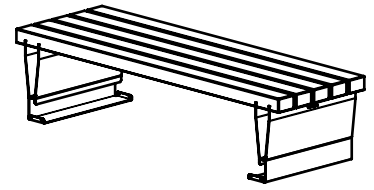
2B.



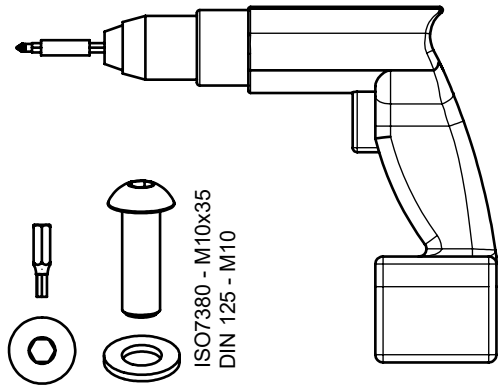
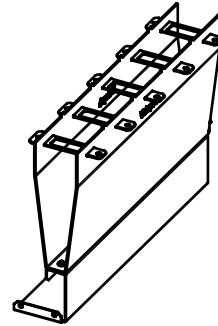
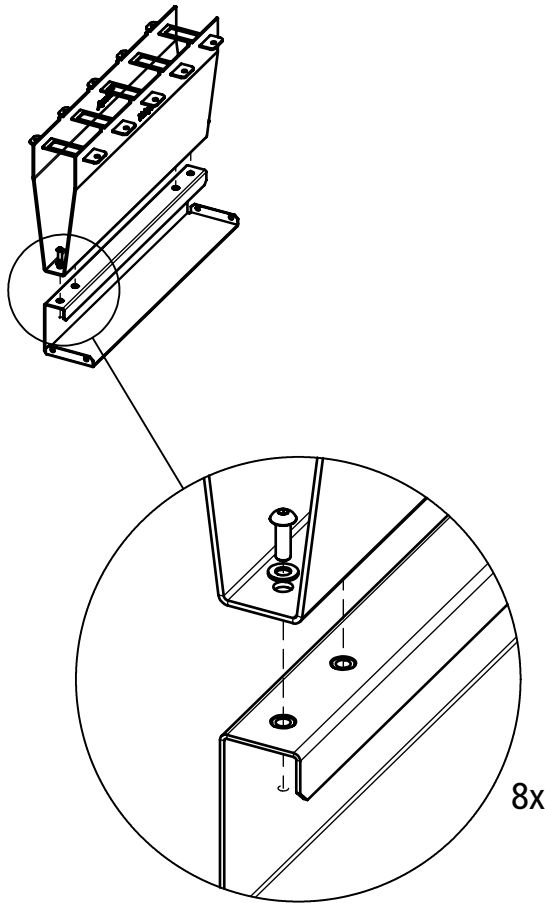
3B



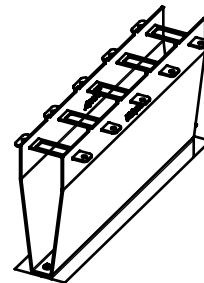
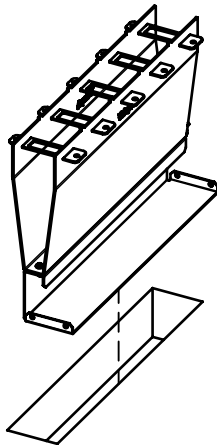
1C.



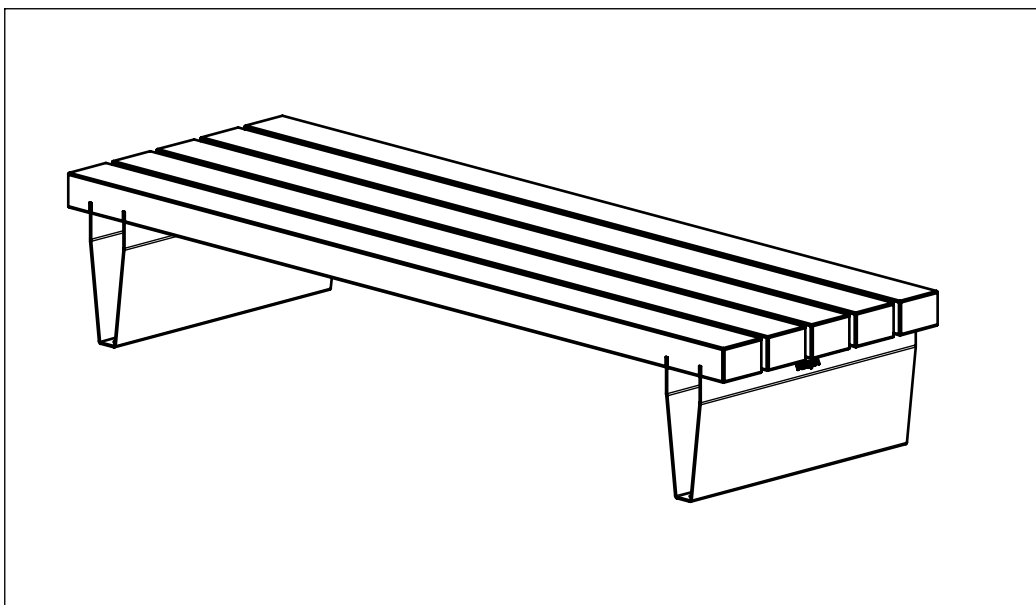
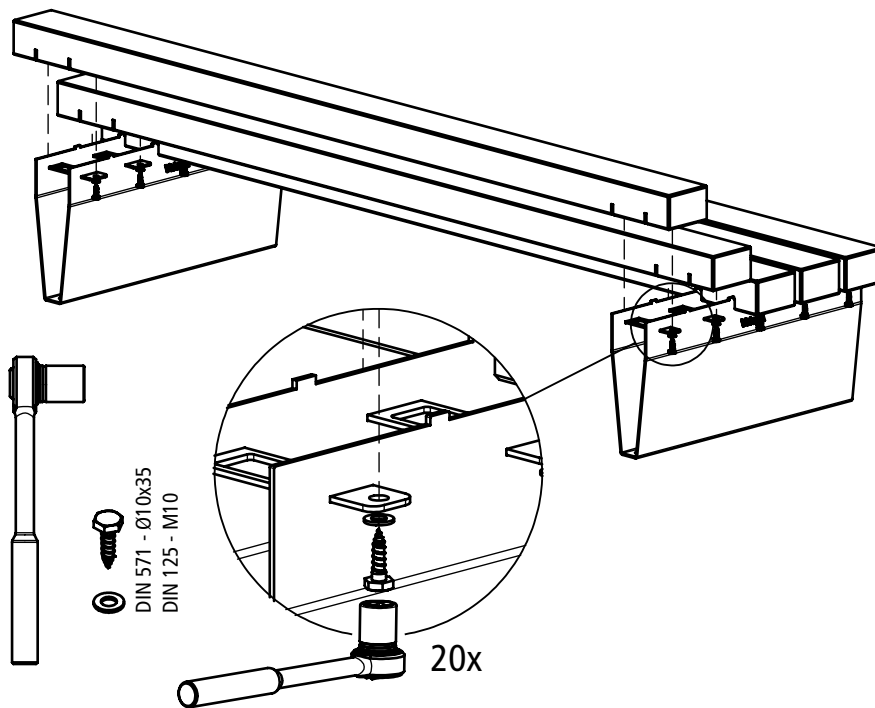
2C.

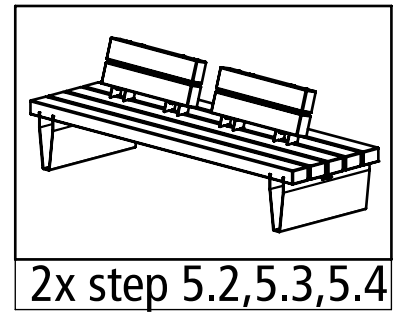
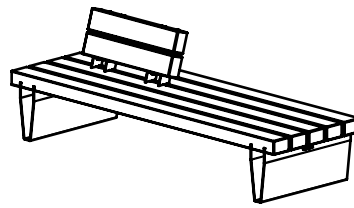


3C.

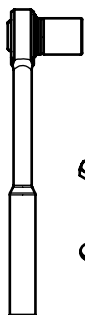
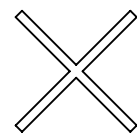
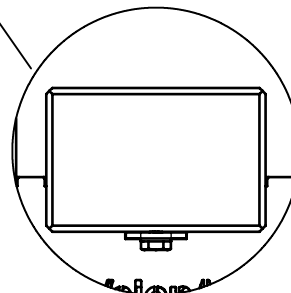
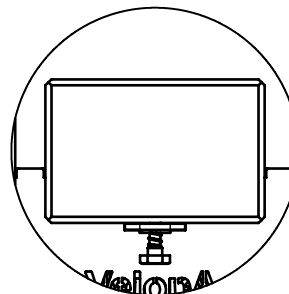
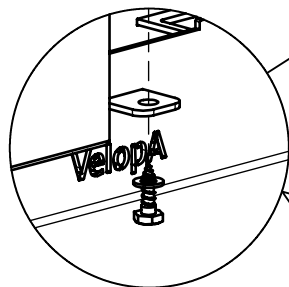
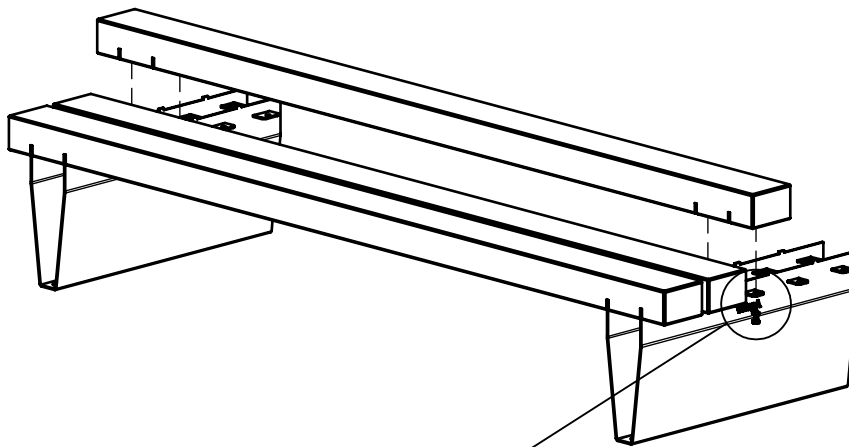


4.



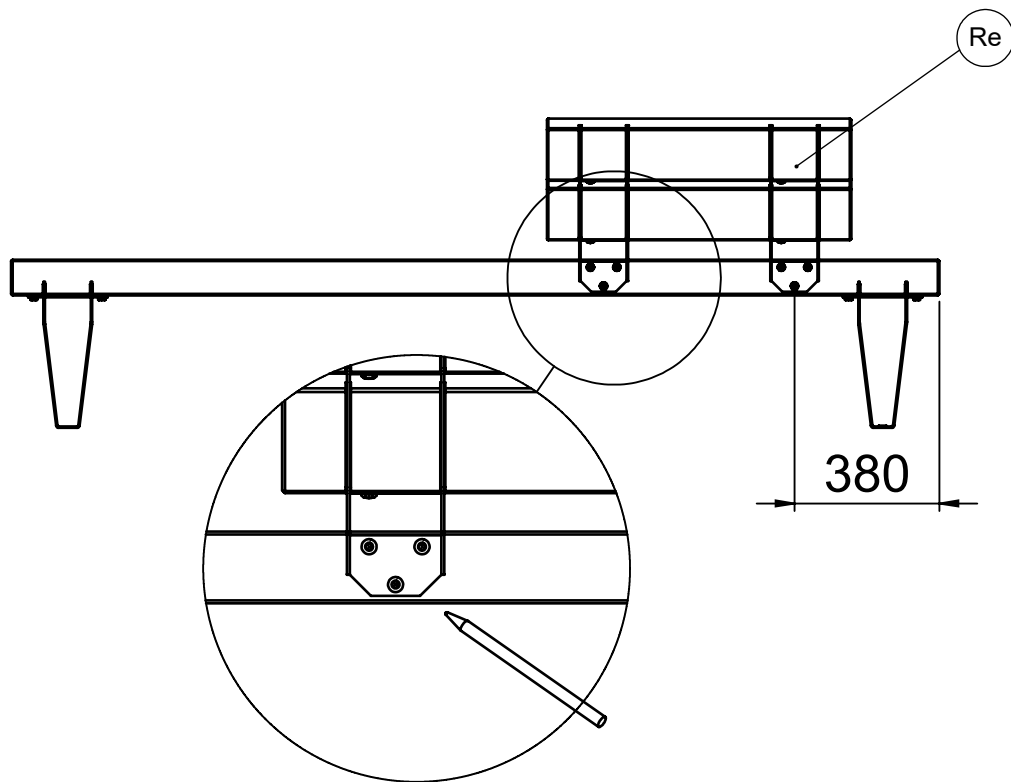


5.1

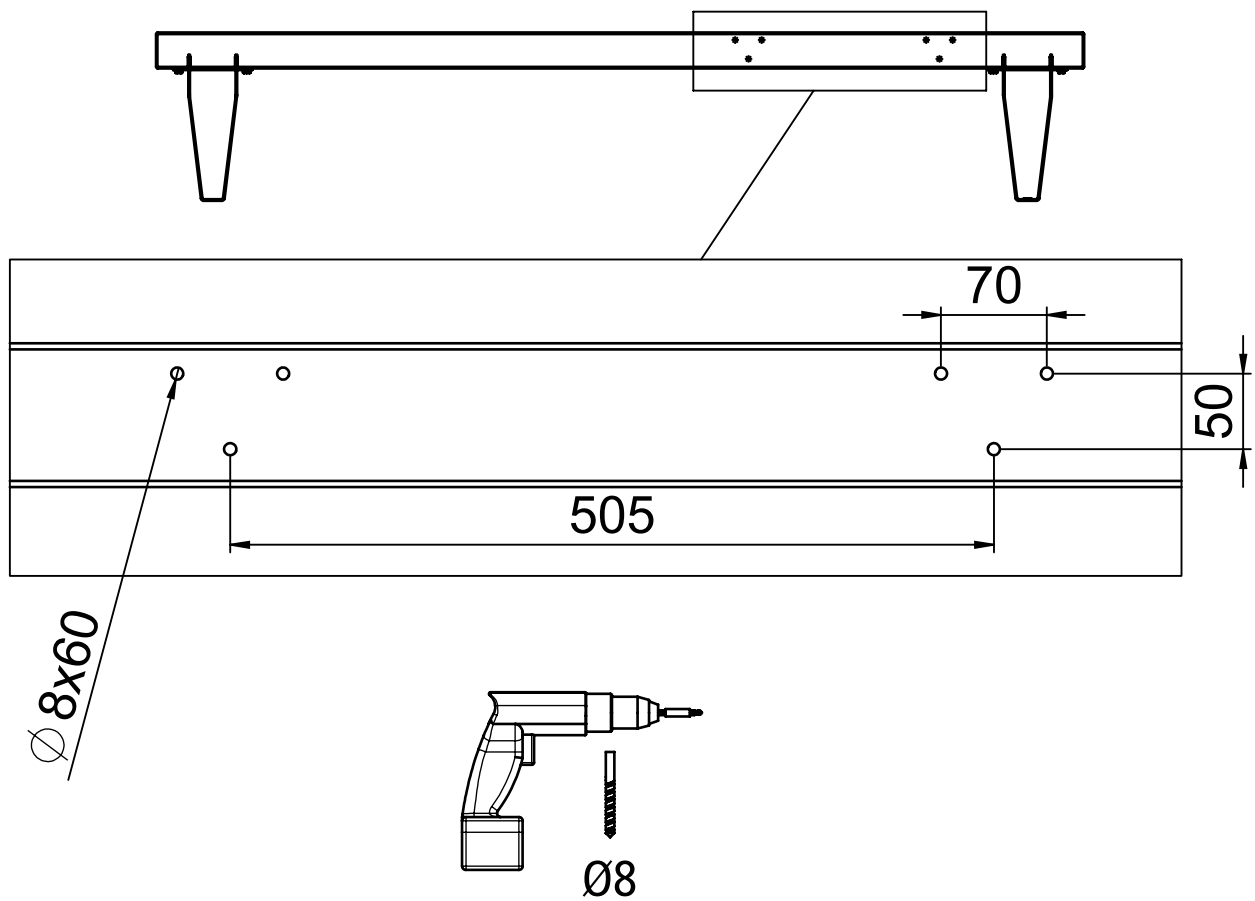


DIN 571 - 010x35
DIN 125 - M10

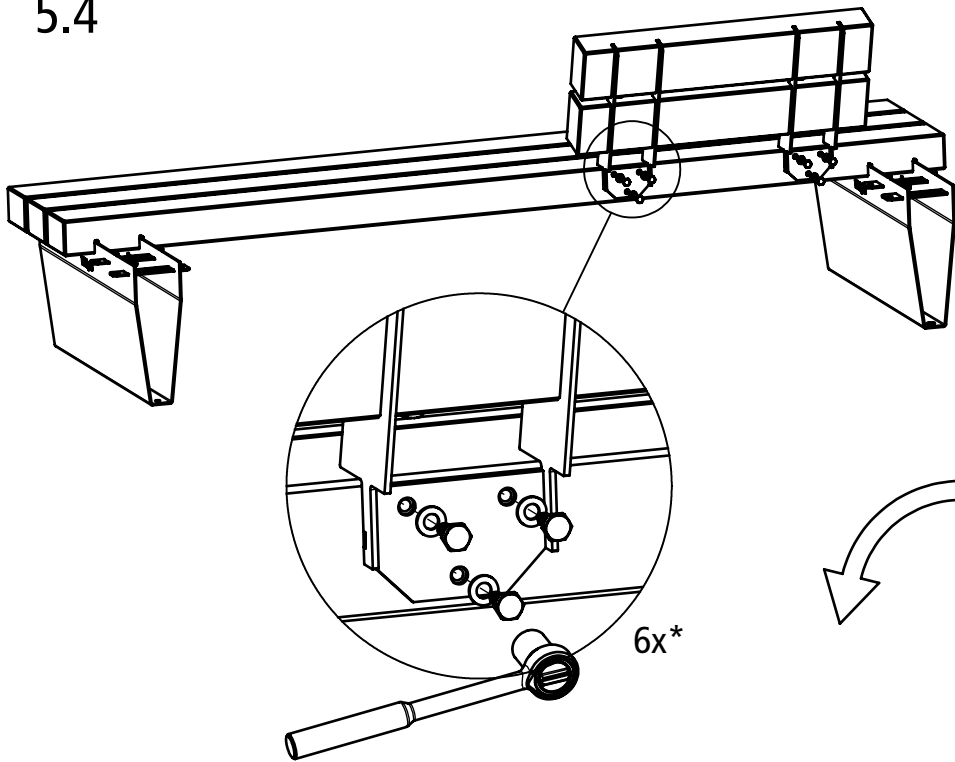
5.2



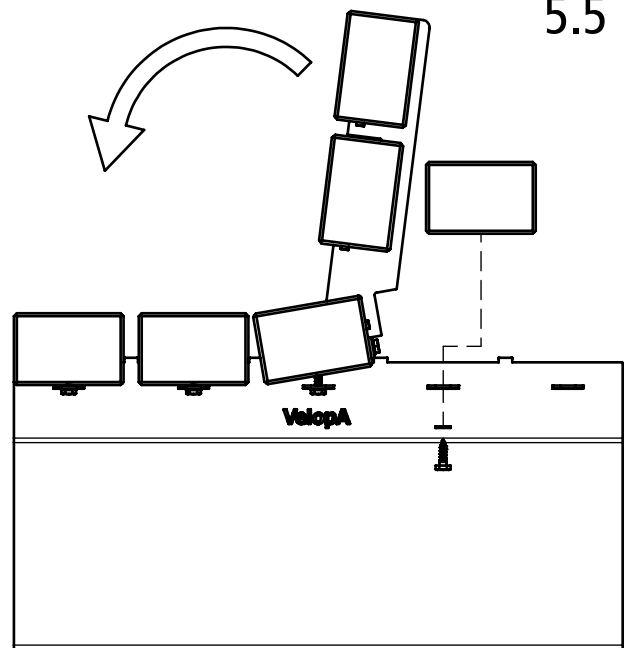
5.3



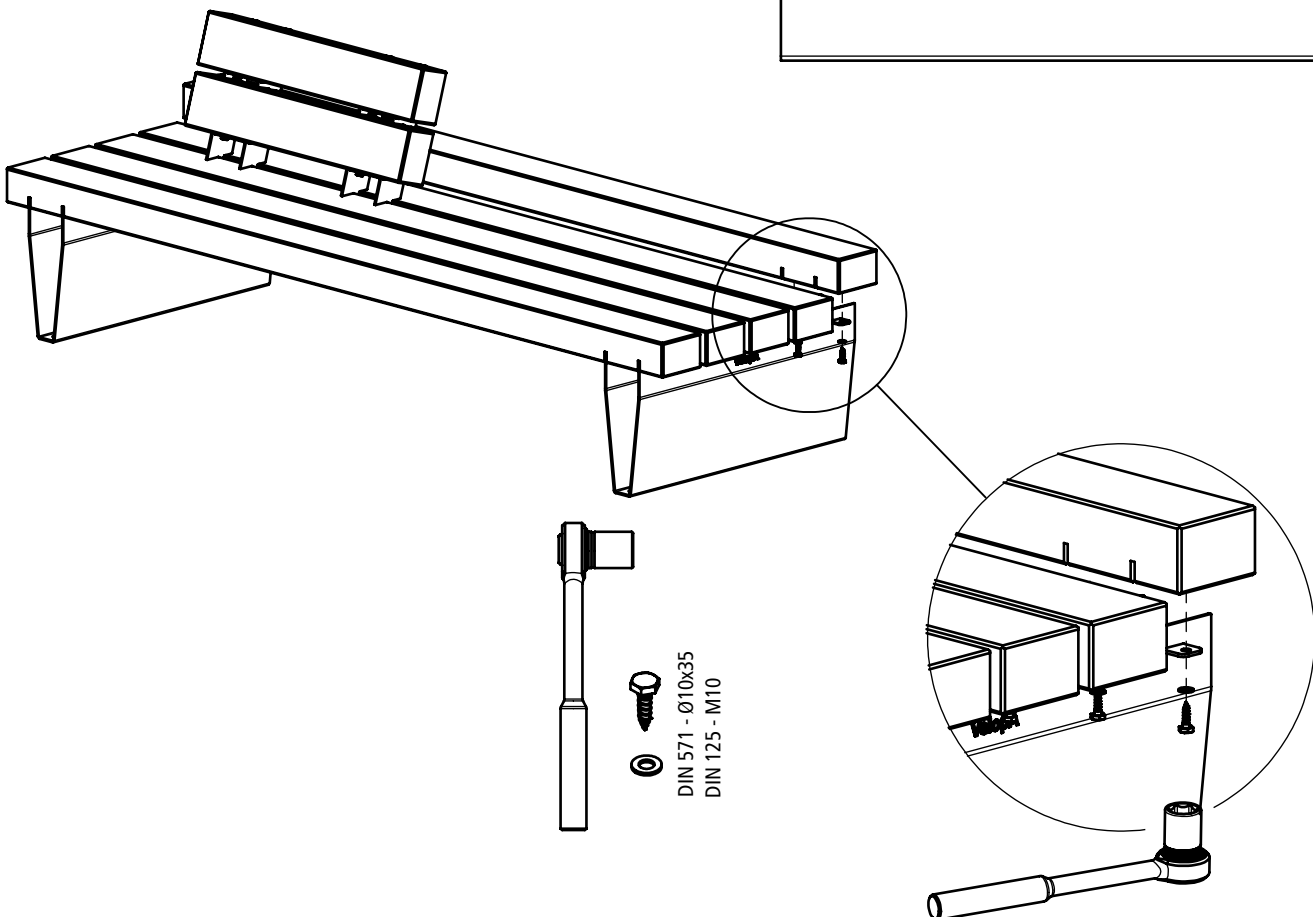
5.4



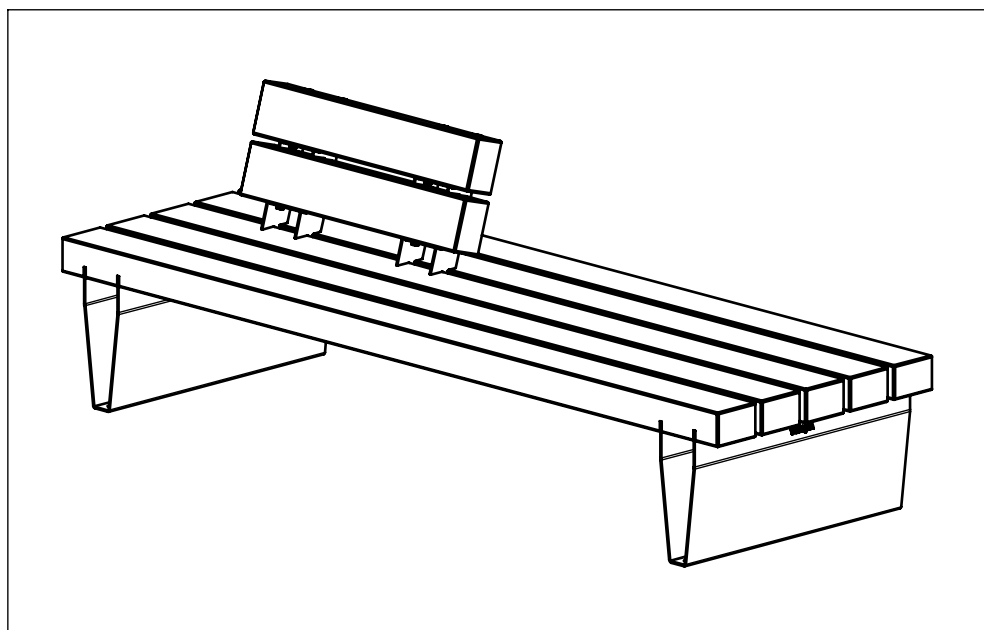
5.5



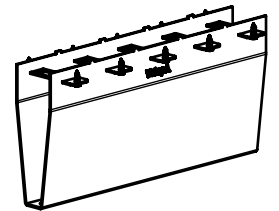
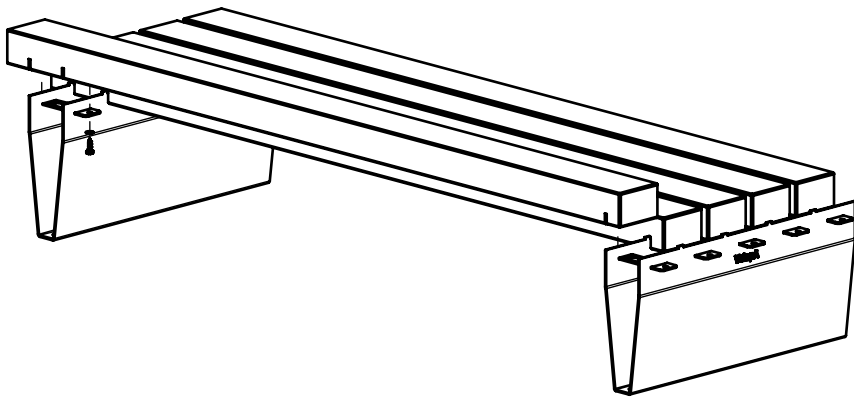
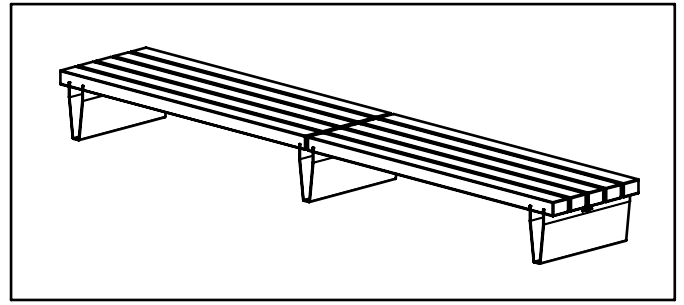
5.6



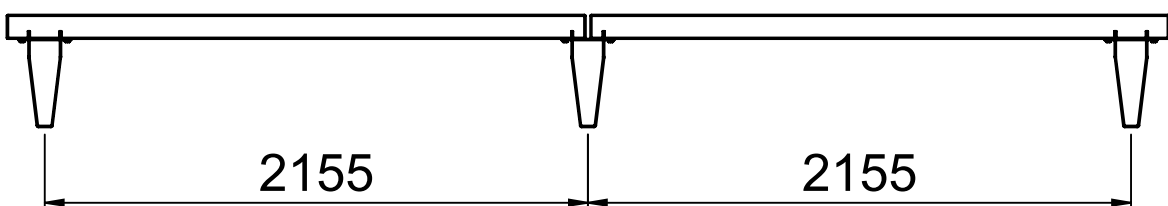
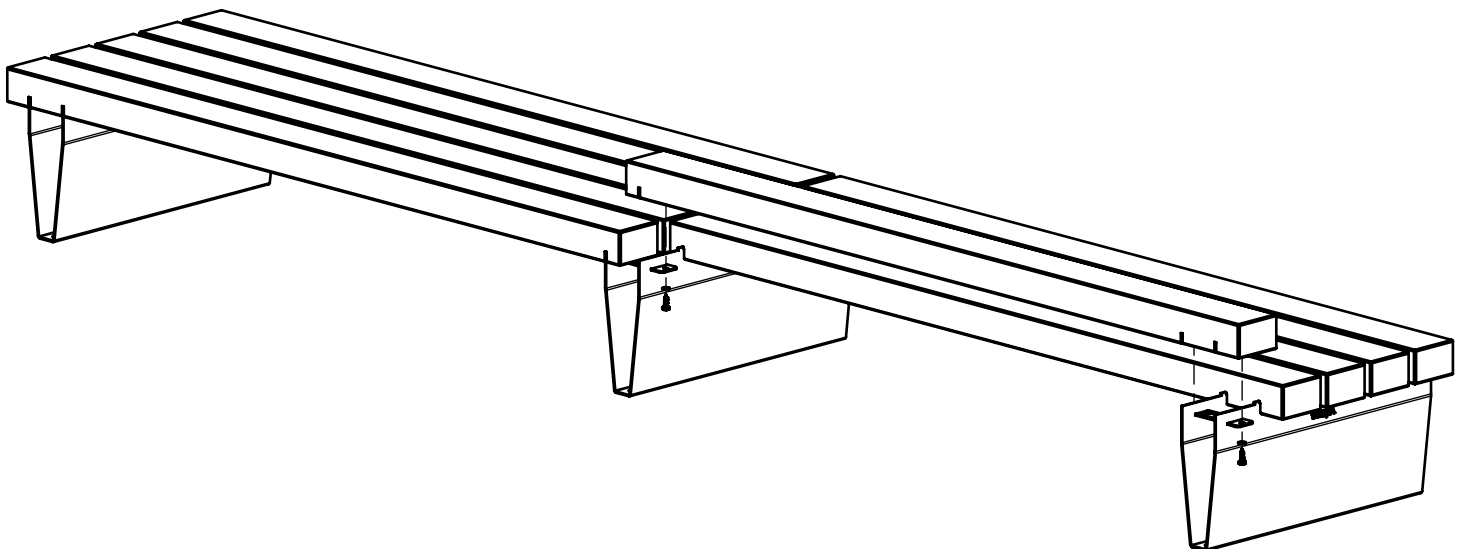
5.7.



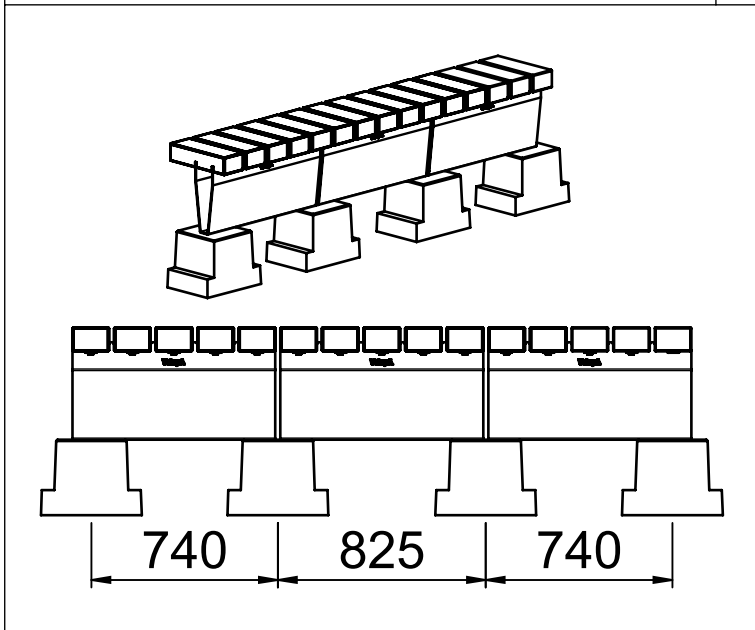
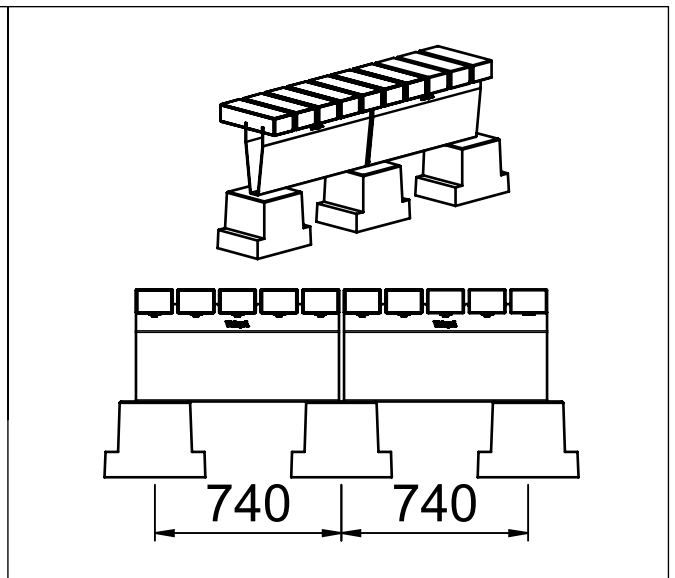
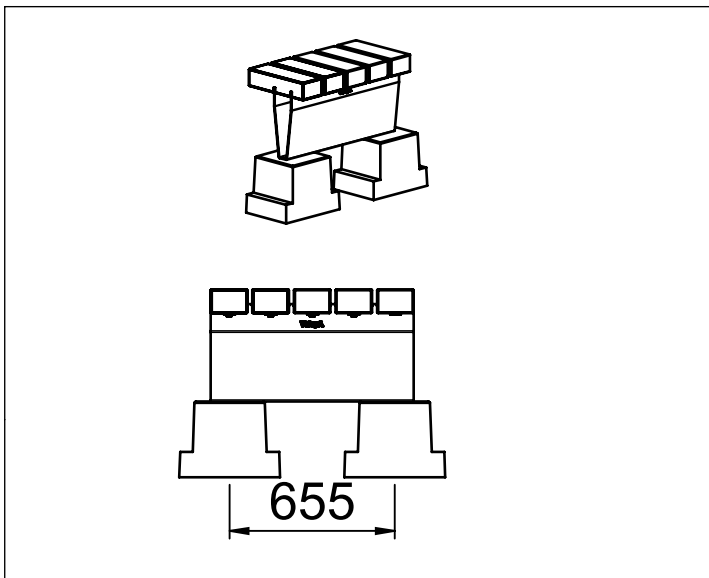
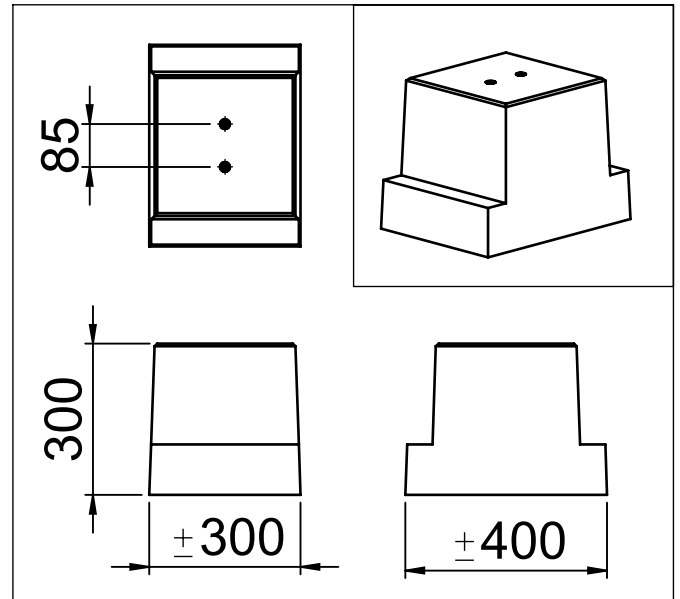
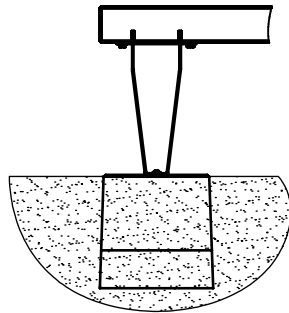
6.1

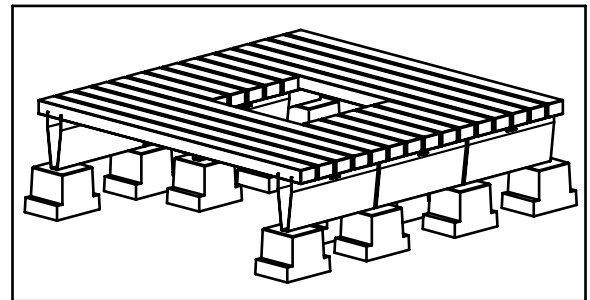
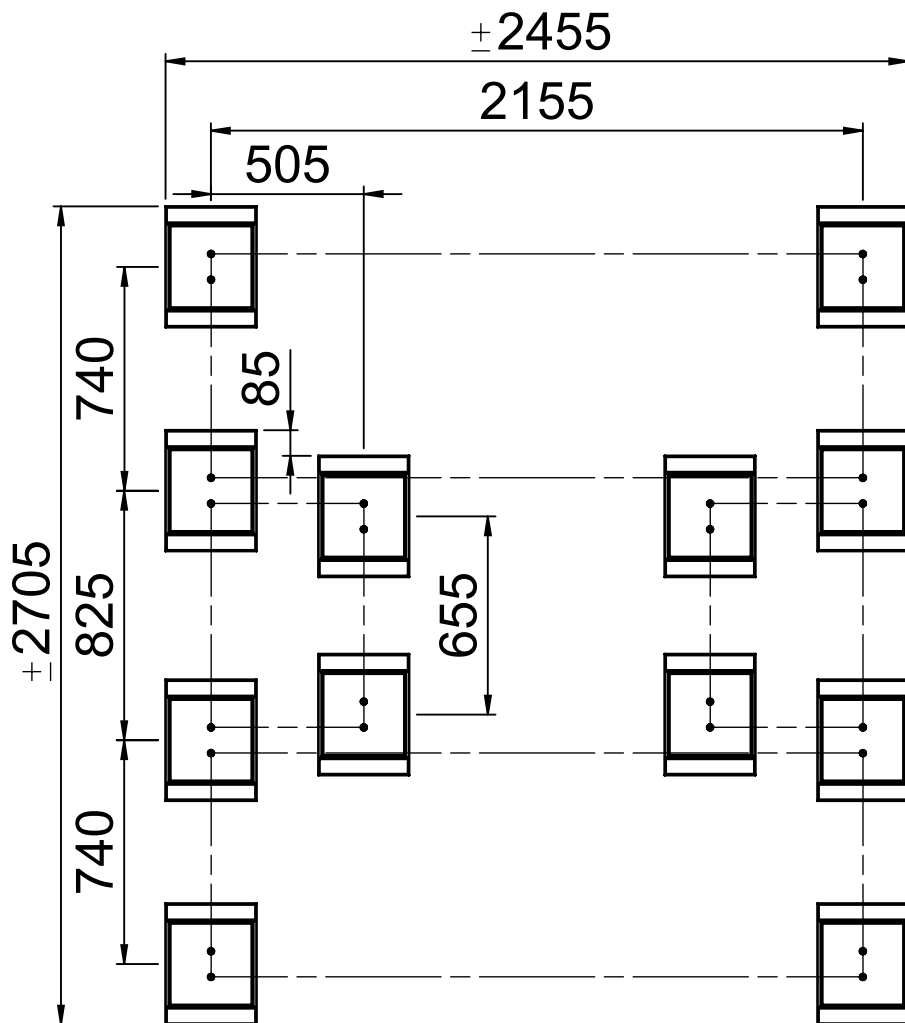
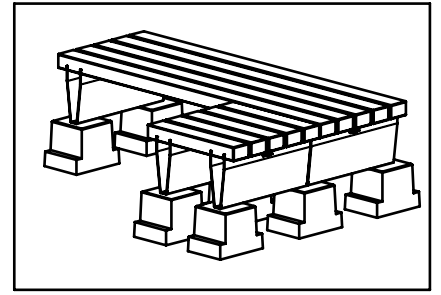
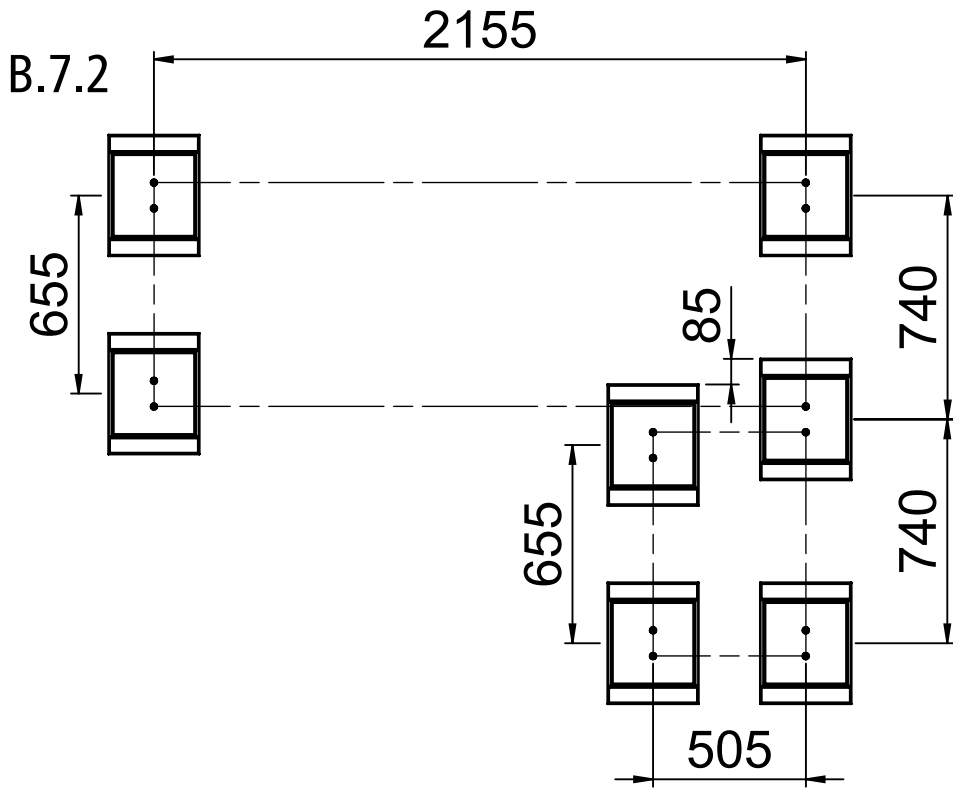


6.2

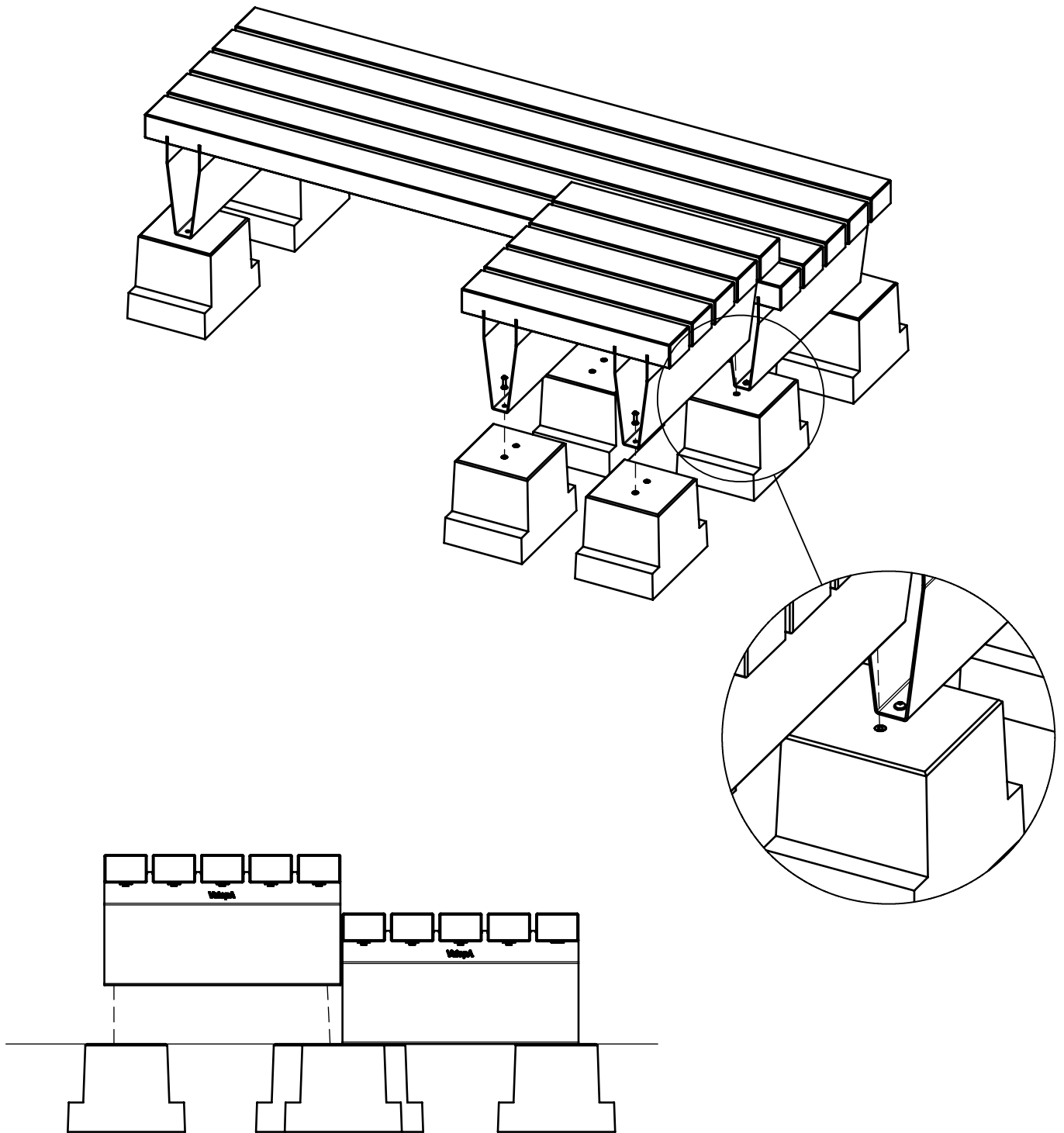


B.7.1

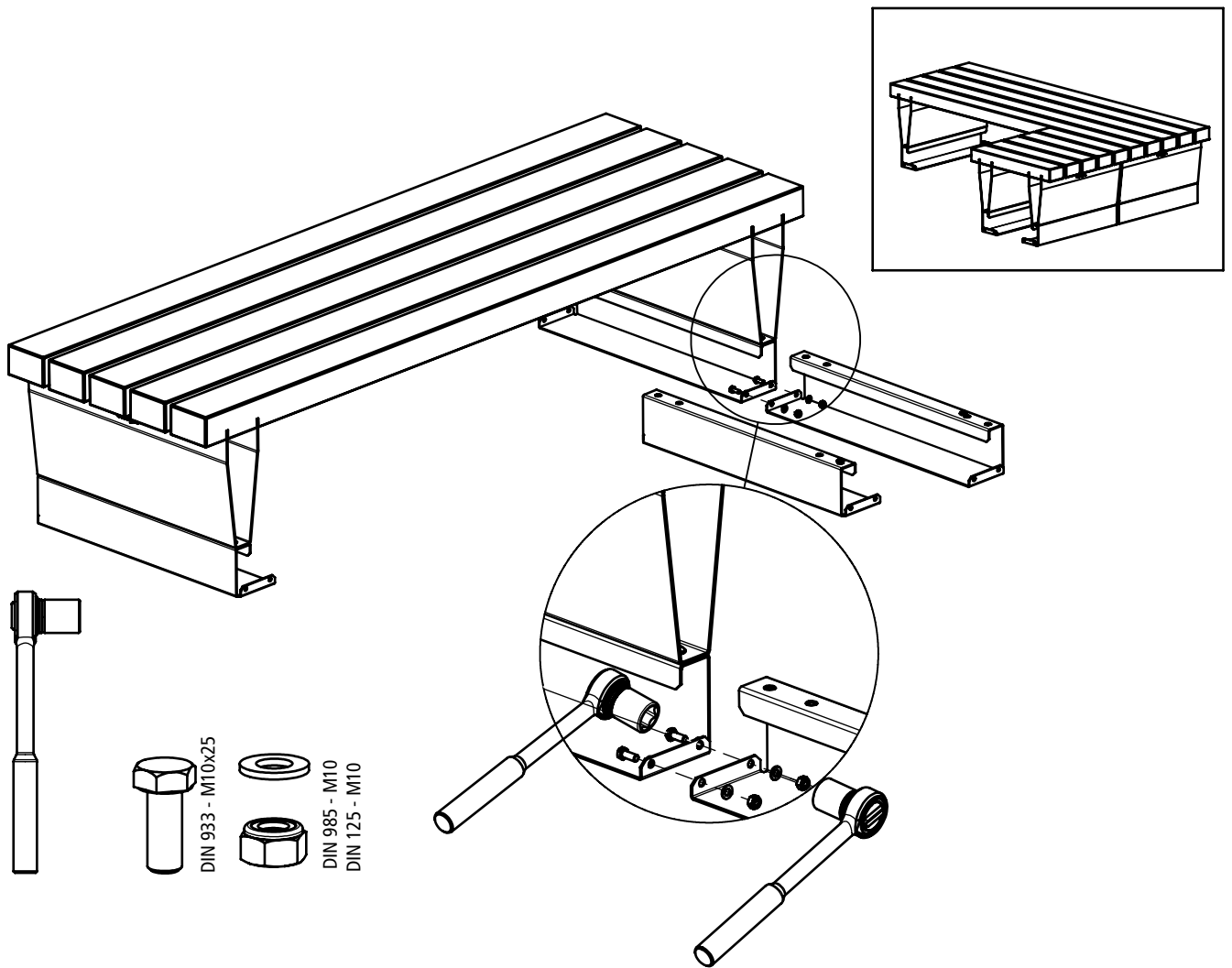




B.7.3



C.7.1



C.7.2

