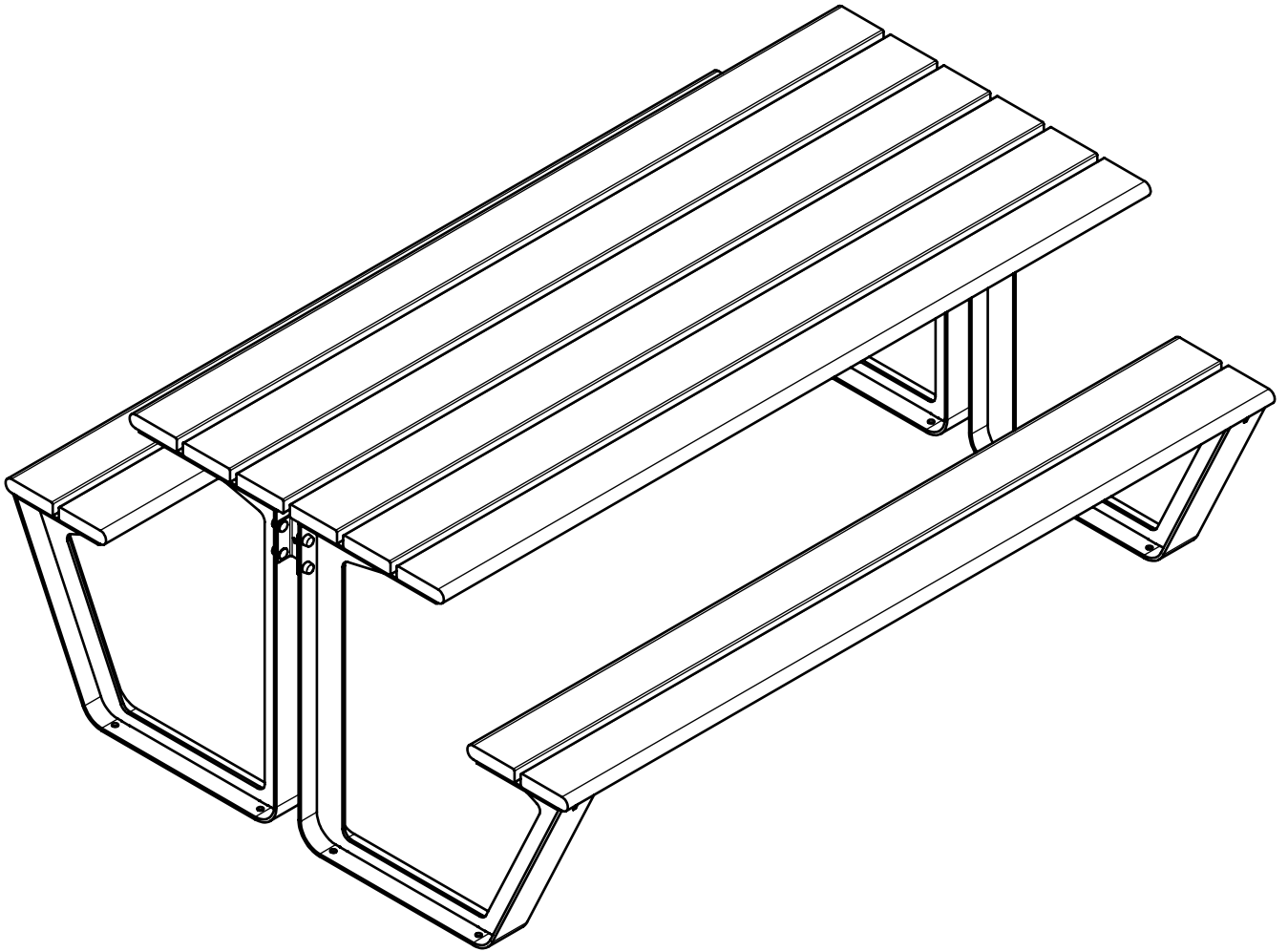
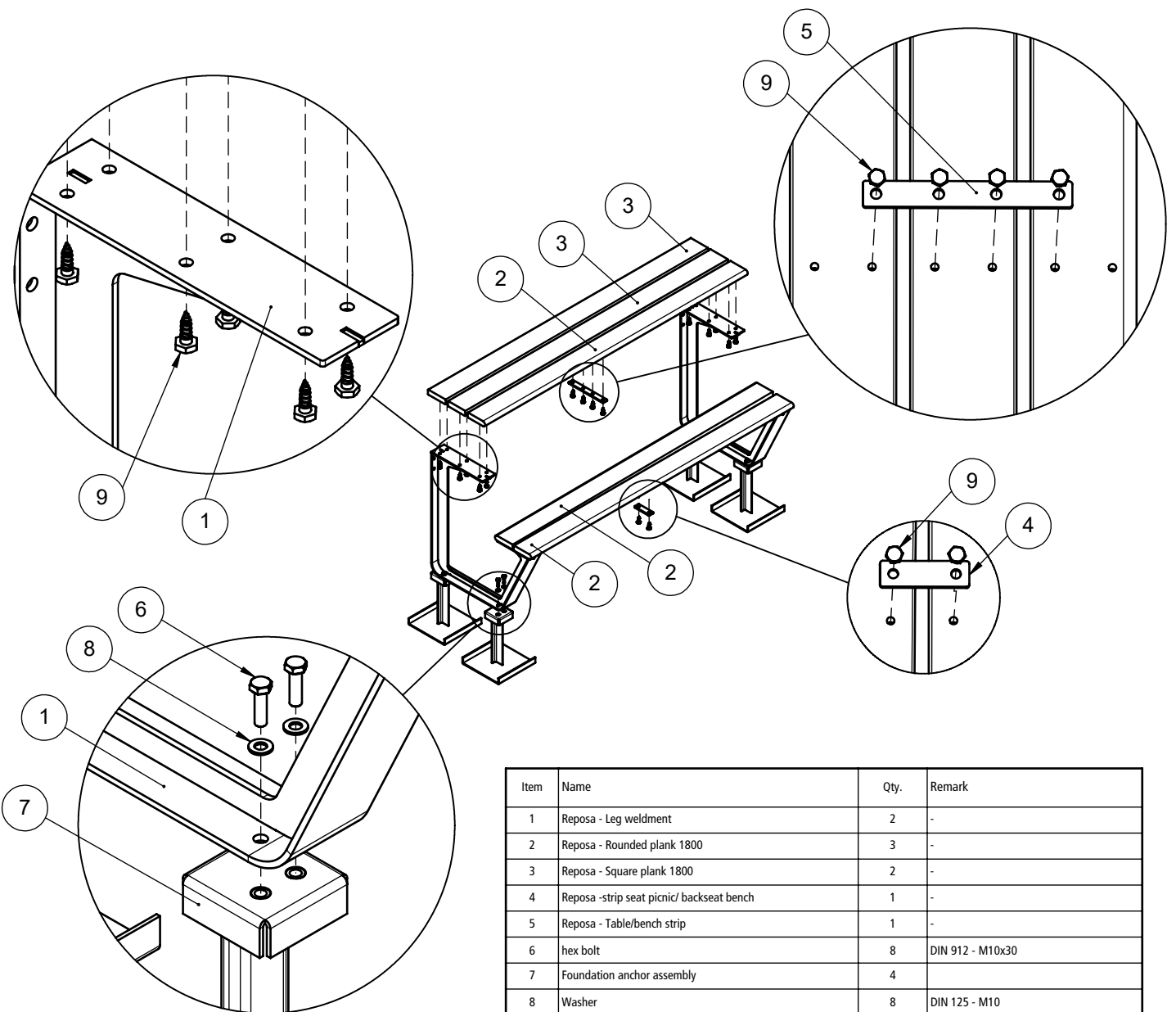
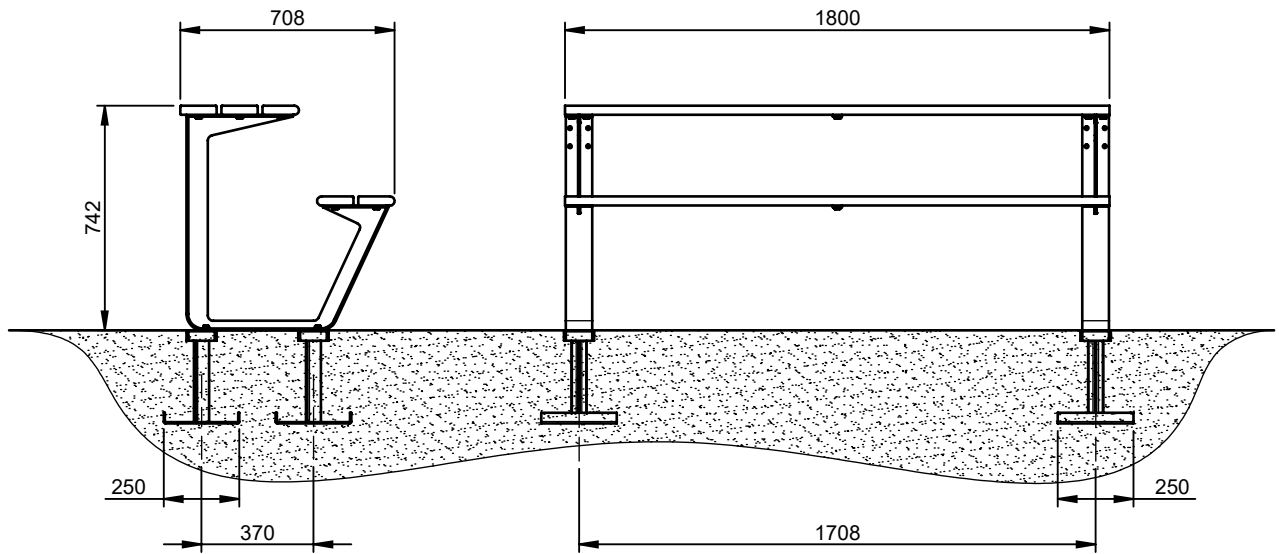
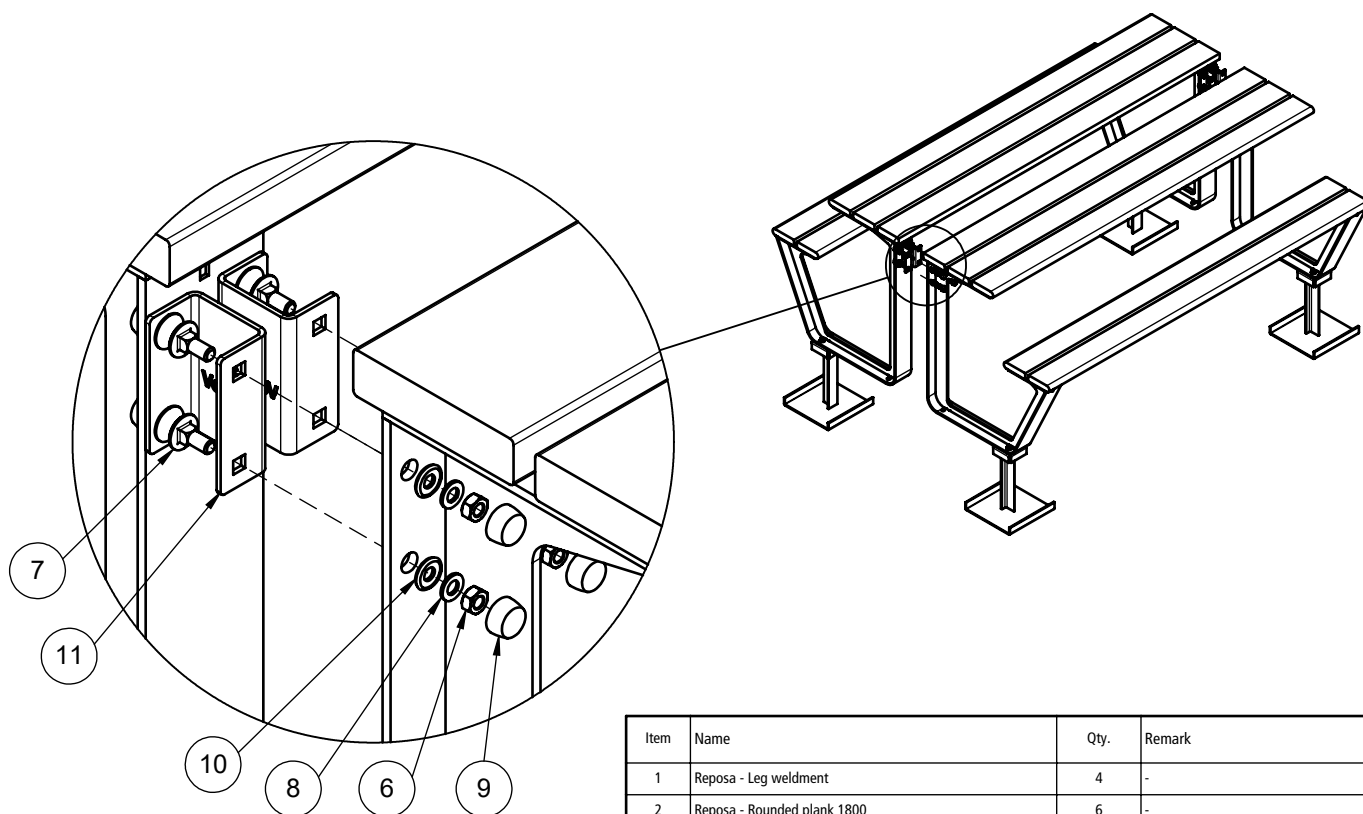
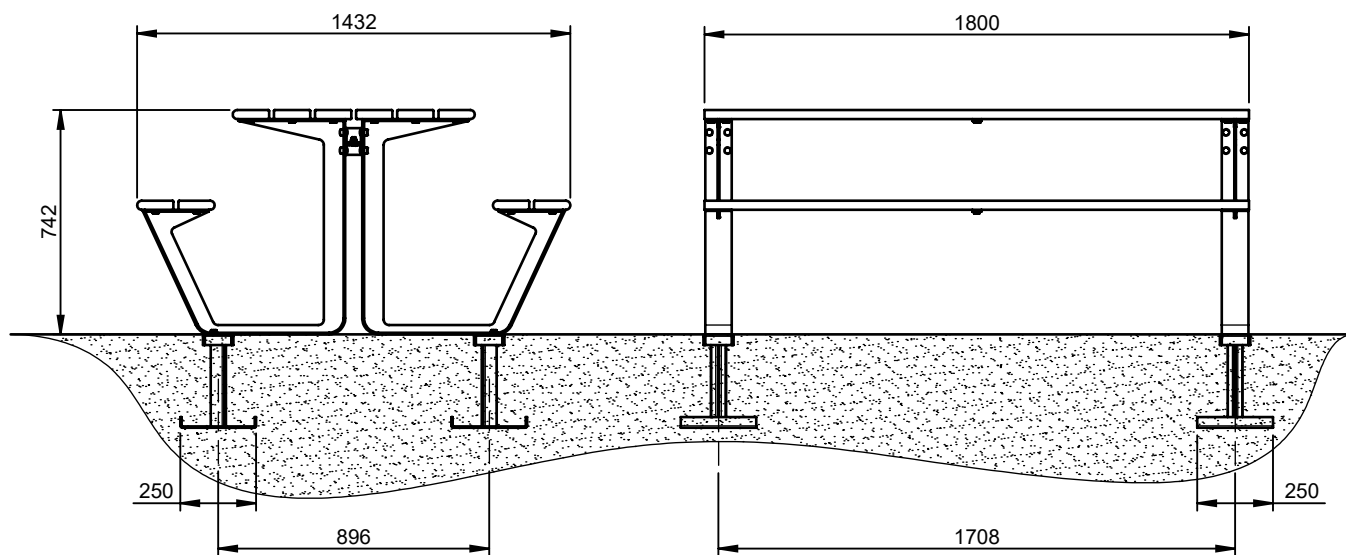


Reposa Picnic

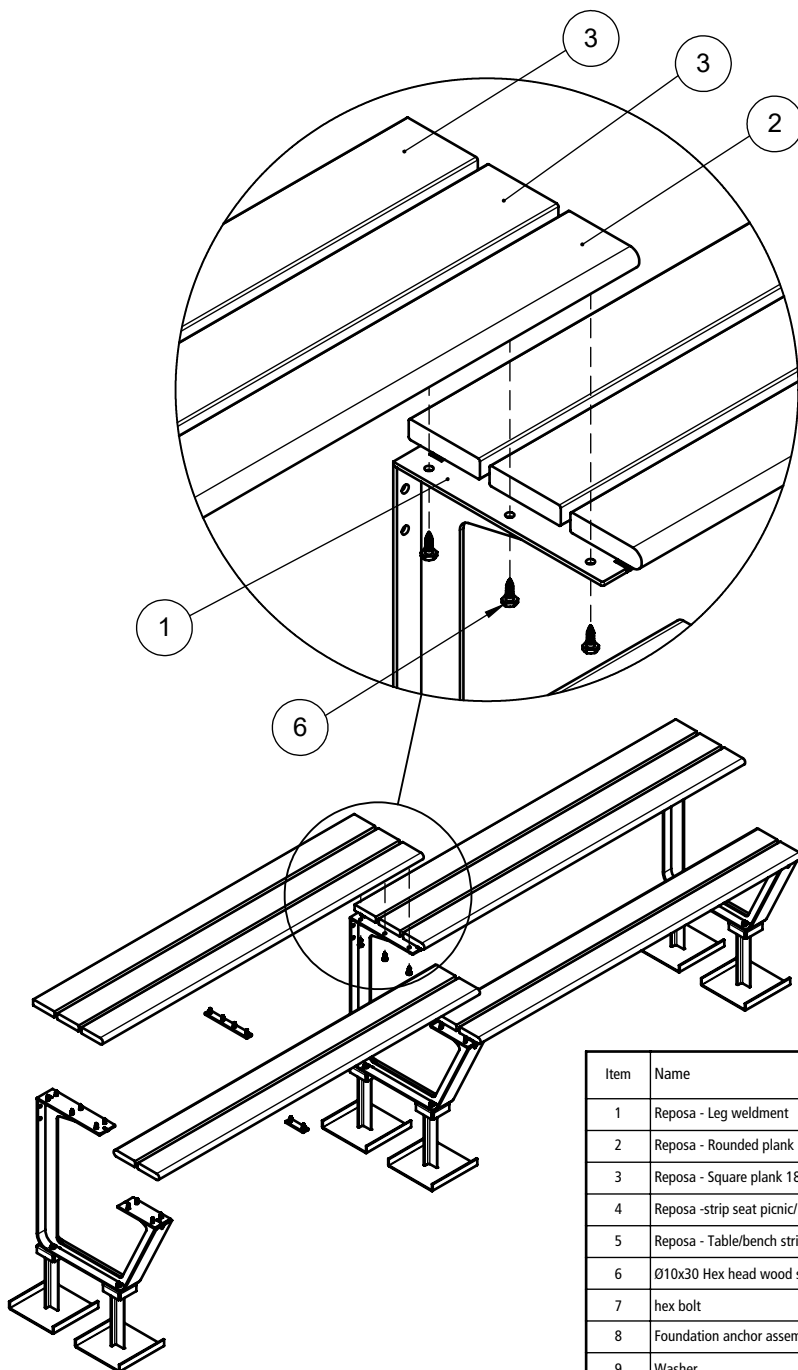
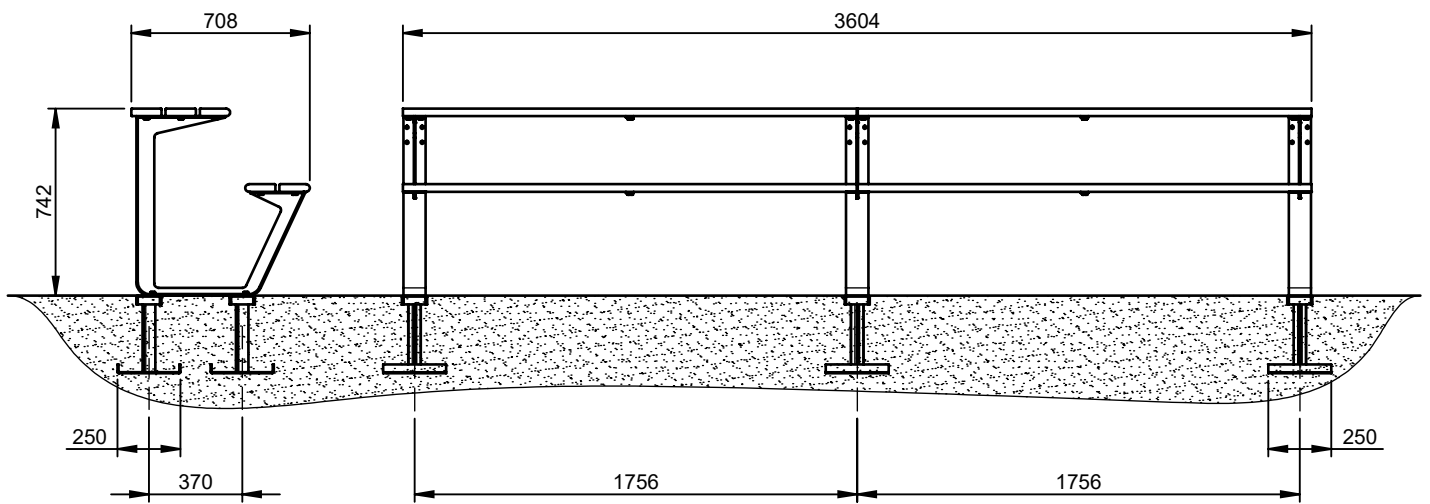




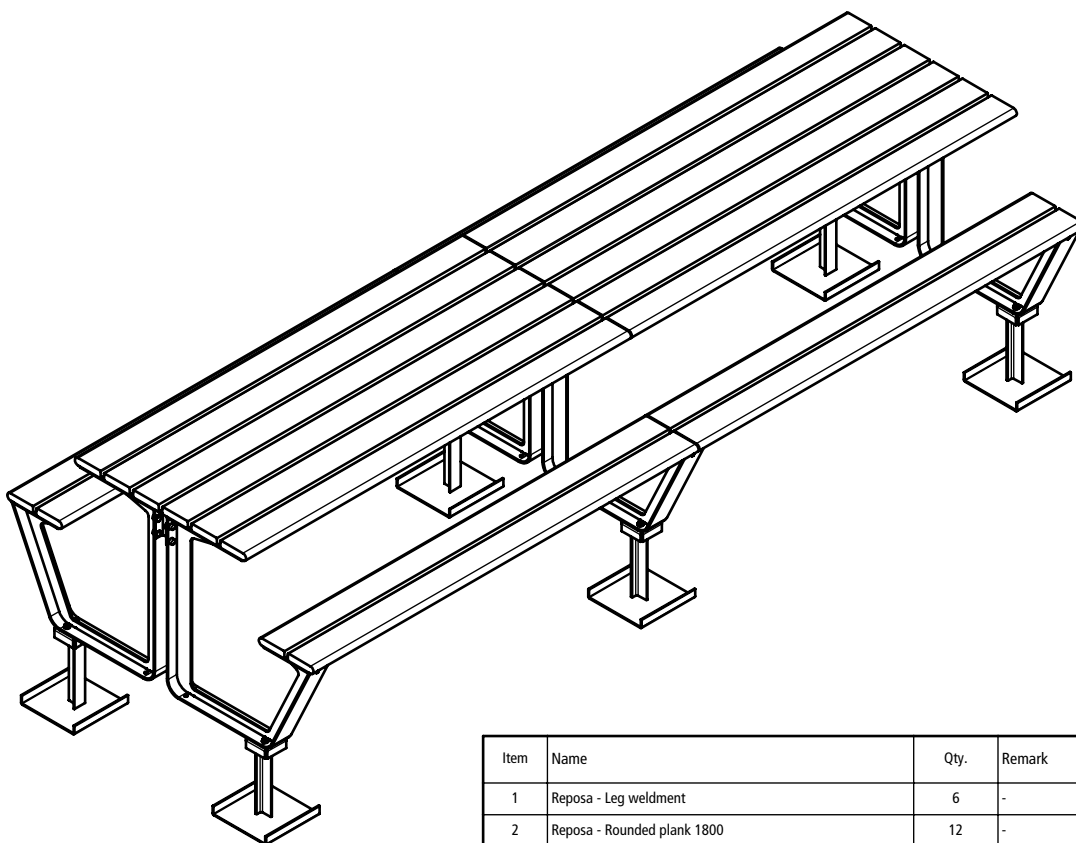
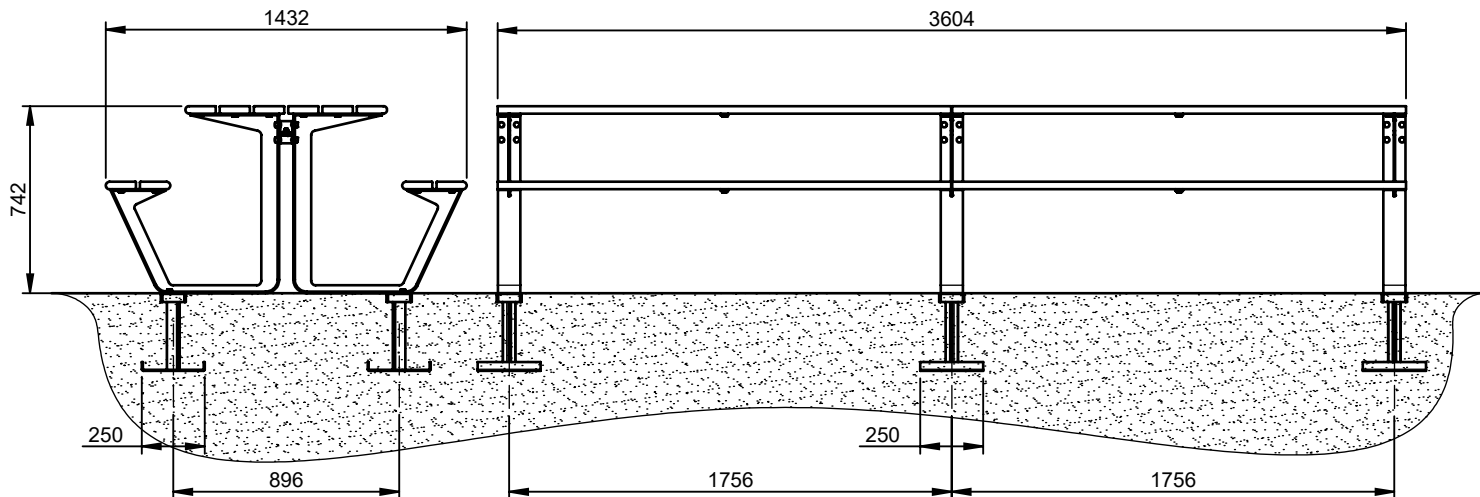
Item	Name	Qty.	Remark
1	Reposa - Leg weldment	2	-
2	Reposa - Rounded plank 1800	3	-
3	Reposa - Square plank 1800	2	-
4	Reposa -strip seat picnic/ backseat bench	1	-
5	Reposa - Table/bench strip	1	-
6	hex bolt	8	DIN 912 - M10x30
7	Foundation anchor assembly	4	
8	Washer	8	DIN 125 - M10
9	Ø10x30 Hex head wood screw	26	DIN 571 - Ø10x30



Item	Name	Qty.	Remark
1	Reposa - Leg weldment	4	-
2	Reposa - Rounded plank 1800	6	-
3	Reposa - Square plank 1800	4	-
4	Reposa -strip seat picnic/ backseat bench	2	-
5	Reposa - Table/bench strip	2	-
6	M8 nut	16	DIN934 - M8
7	Square necked bolt	16	DIN 603 - M8x20
8	Washer	16	ISO 7089 - M8
9	Cover	16	Essentra 006 2082 599 01
10	Cover ring	16	Essentra 006 1081 000 01
11	Reposa - Connector plate	4	-
12	hex bolt	8	DIN 912 - M10x30
13	Foundation anchor assembly	4	
14	Washer	8	DIN 125 - M10
15	Ø10x30 Hex head wood screw	52	DIN 571 - Ø10x30



Item	Name	Qty.	Remark
1	Reposa - Leg weldment	3	-
2	Reposa - Rounded plank 1800	6	-
3	Reposa - Square plank 1800	4	-
4	Reposa -strip seat picnic/ backseat bench	2	-
5	Reposa - Table/bench strip	2	-
6	Ø10x30 Hex head wood screw	42	DIN 571 - Ø10x30
7	hex bolt	12	DIN 912 - M10x30
8	Foundation anchor assembly	6	
9	Washer	12	DIN 125 - M10



Item	Name	Qty.	Remark
1	Reposa - Leg weldment	6	-
2	Reposa - Rounded plank 1800	12	-
3	Reposa - Square plank 1800	8	-
4	Reposa -strip seat picnic/ backseat bench	4	-
5	Reposa - Table/bench strip	4	-
6	Ø10x30 Hex head wood screw	84	DIN 571 - Ø10x30
7	M8 nut	16	DIN934 - M8
8	Square necked bolt	16	DIN 603 - M8x20
9	Washer	16	ISO 7089 - M8
10	Cover	16	Essentra 006 2082 599 01
11	Cover ring	16	Essentra 006 1081 000 01
12	Reposa - Connector plate	6	-
13	hex bolt	12	DIN 912 - M10x30
14	Foundation anchor assembly	6	
15	Washer	12	DIN 125 - M10