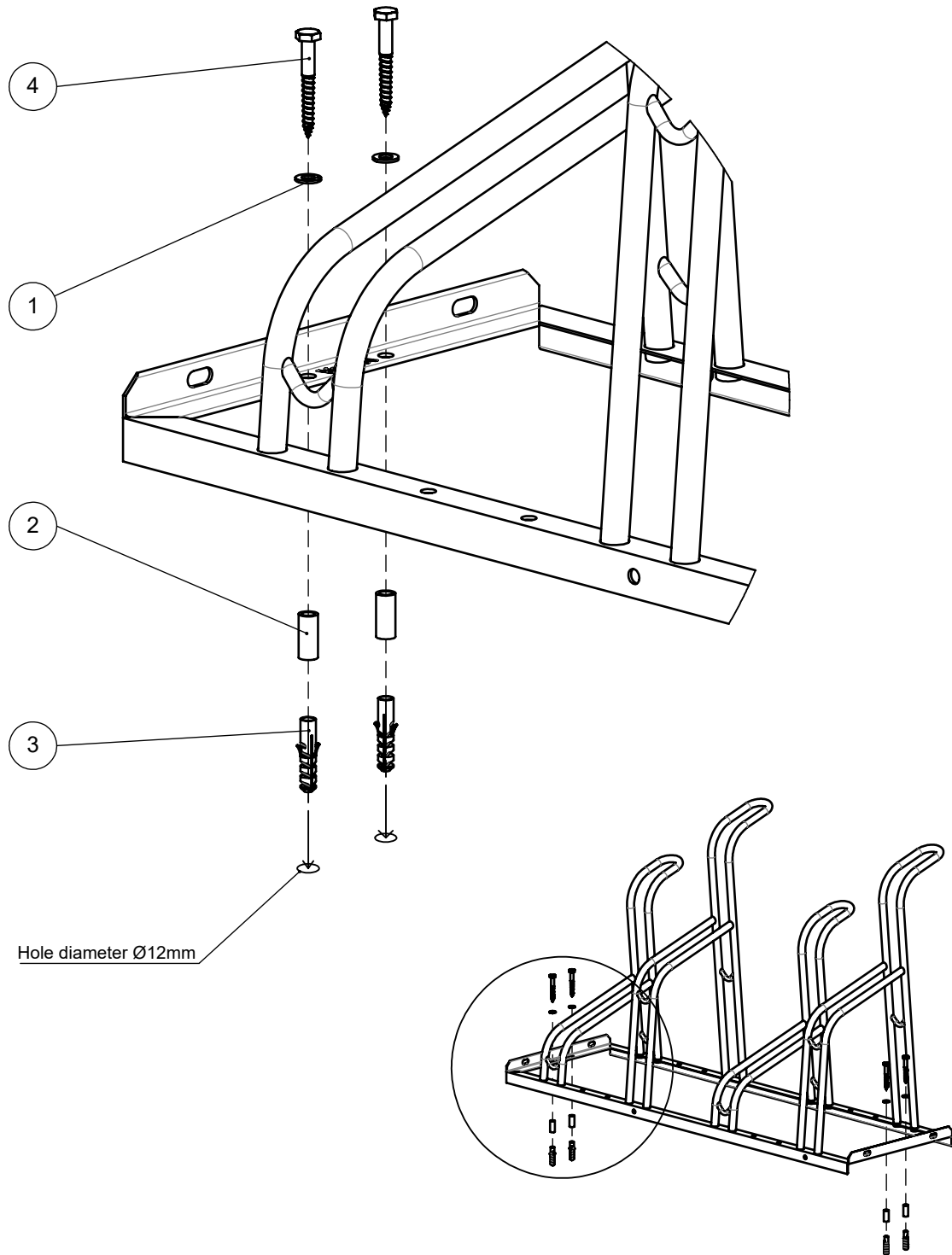


Mounting instructions - Variant 3

Directly on the ground



© Copyright VelopA B.V.
www.velopa.com
MAL



Pos. no.	Qty.	Art.no.	Remark	Name
1	4	54140000	DIN 125 - M10	Washer
2	4	-	10,3 x 15 x 35mm	Spacer
3	4	-	12mm	Nylon plug
4	4	-	DIN 571 - Ø10x80	Ø10x80 Hex head wood screw

Mounting instructions - Variant 3

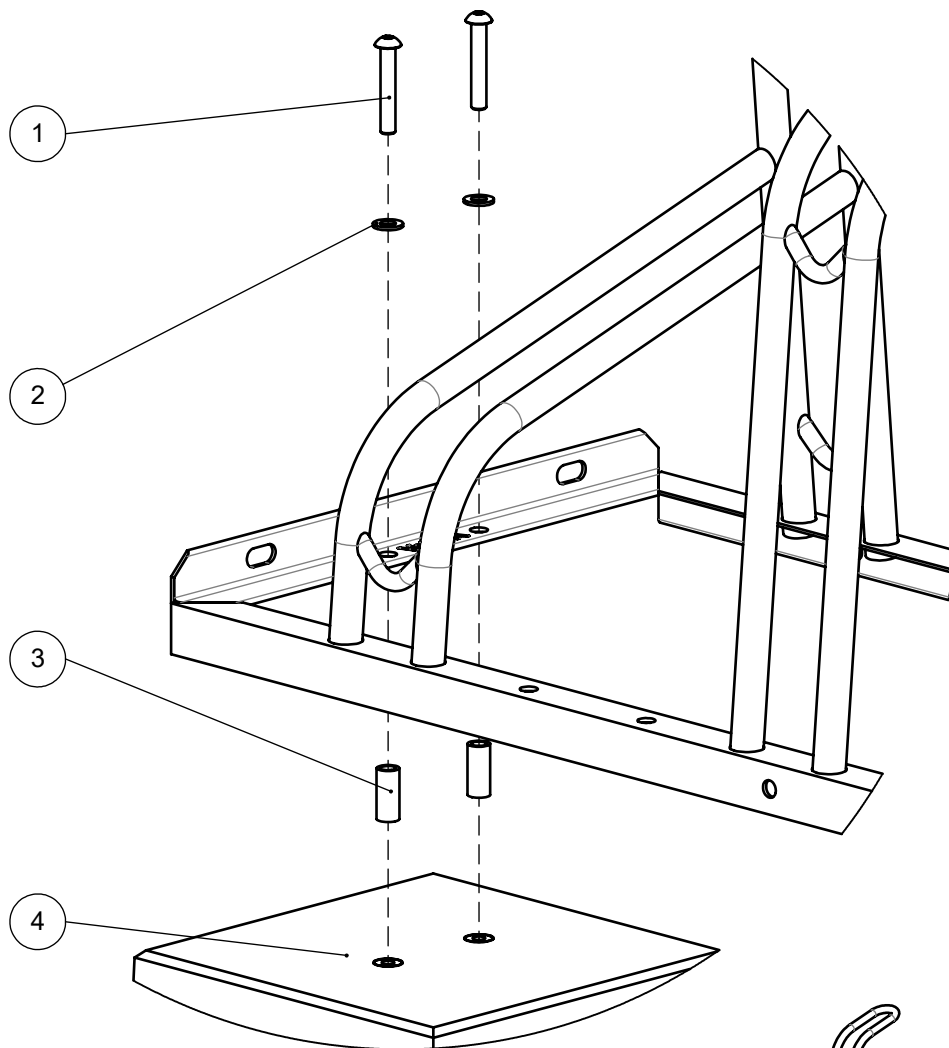
Concrete feet



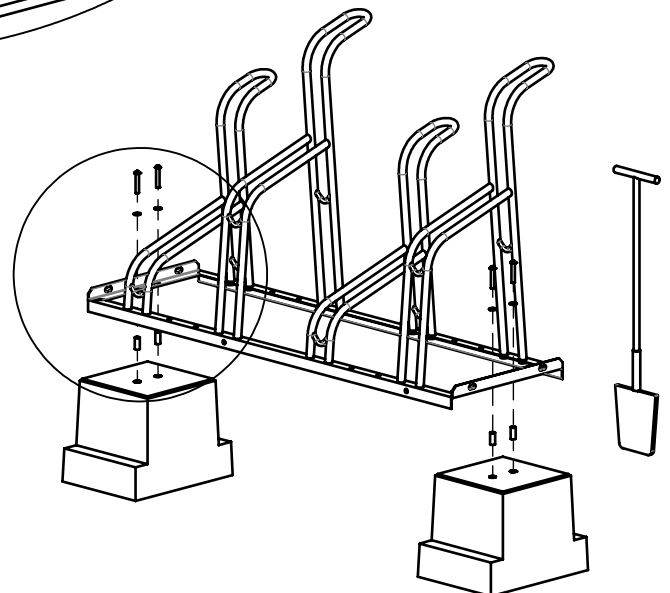
© Copyright VelopA B.V.

www.velopa.com

MAL



Betonvoeten ingraven, gelijk met maaiveld!
Enterrer le socle en béton à fleur de sol!
Betonfundamente eingraben, Oberseite bündig mit OKG!
Entrench concrete foot, level with ground surface!



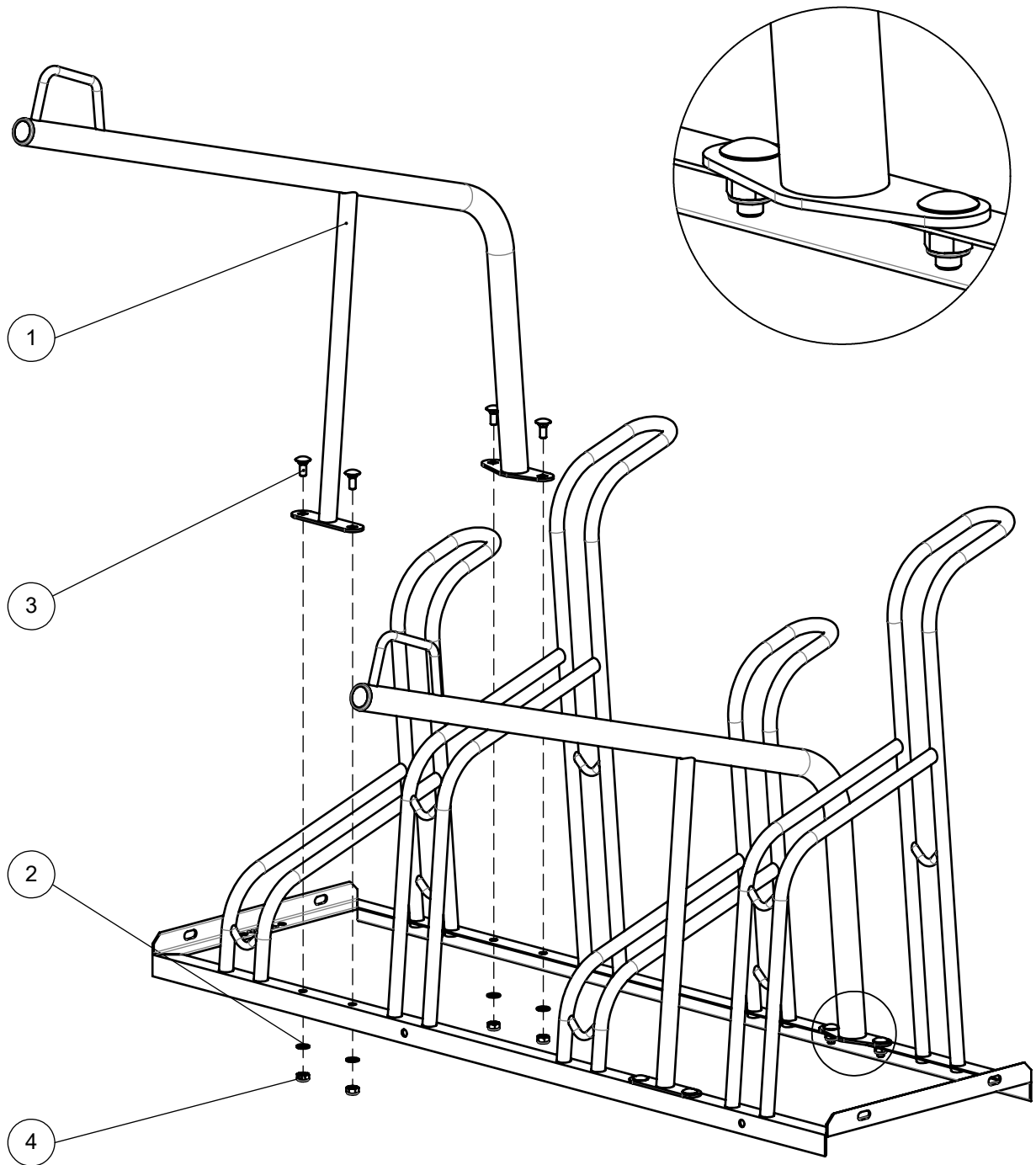
Pos. no.	Qty.	Art.no.	Remark	Name
1	4	54941060	ISO7380 - M10x60	Socket button head
2	4	54140000	DIN 125 - M10	Washer
3	4	63030027	10,3 x 15 x 35mm	Spacer
4	2	29500100	2x M10x60	Concrete foot with 2 inserts

Mounting instructions - Variant 3

Extra Connection Facility - Double sided



© Copyright VelopA B.V.
www.velopa.com
MAL



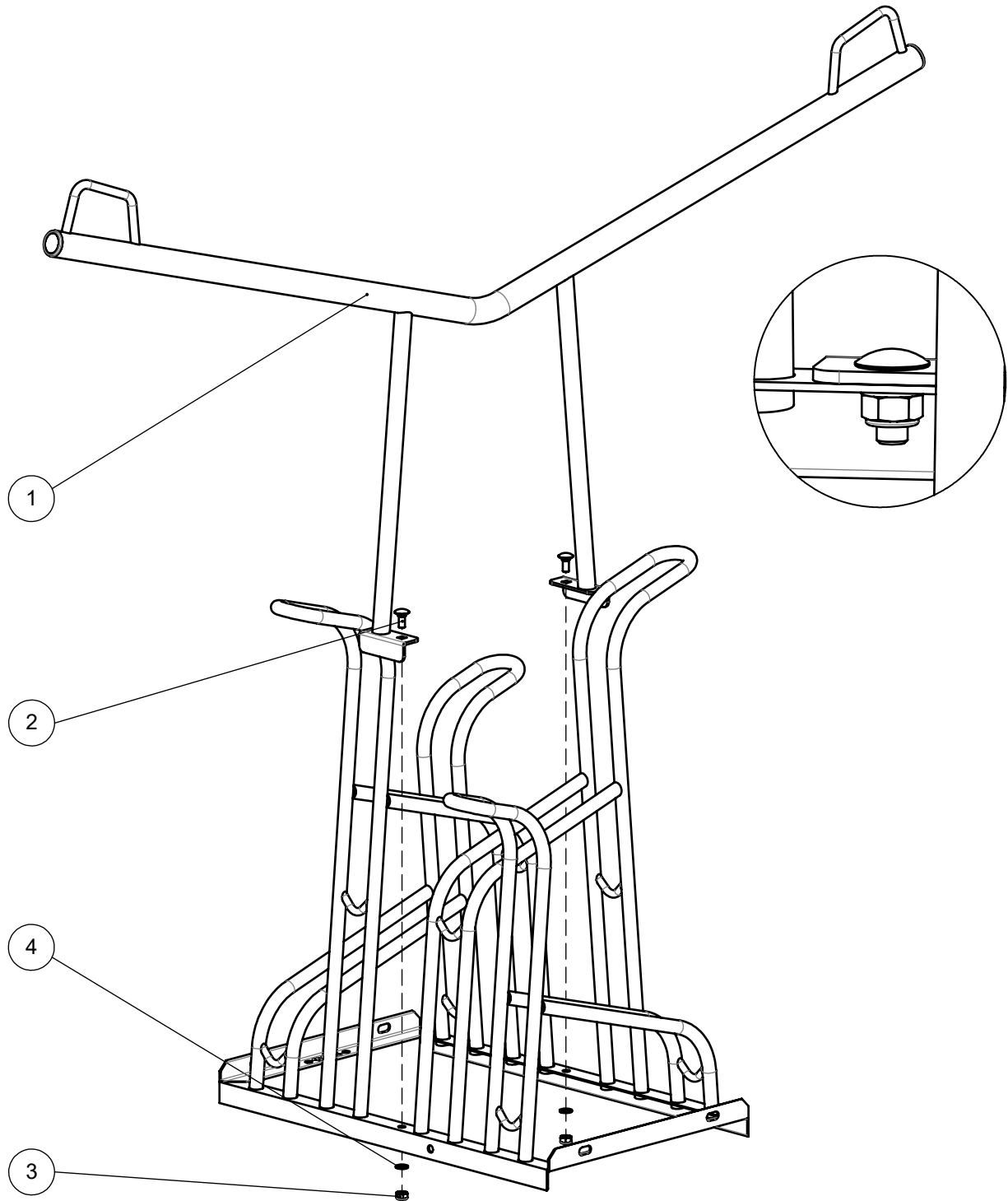
Pos. no.	Qty.	Art.no.	Remark	Name
1	1	30692000, 30692005, 3062006	-	Variant 3 - ECF assembly SS
2	4	54140000	DIN 125 - M10	Washer
3	4	51840030	DIN 603 - M10x25	Square necked bolt
4	4	54340000	DIN 985 - M10	Torque nut

Mounting instructions - Variant 3

Extra Connection Facility - Double sided



© Copyright VelopA B.V.
www.velopa.com
MAL



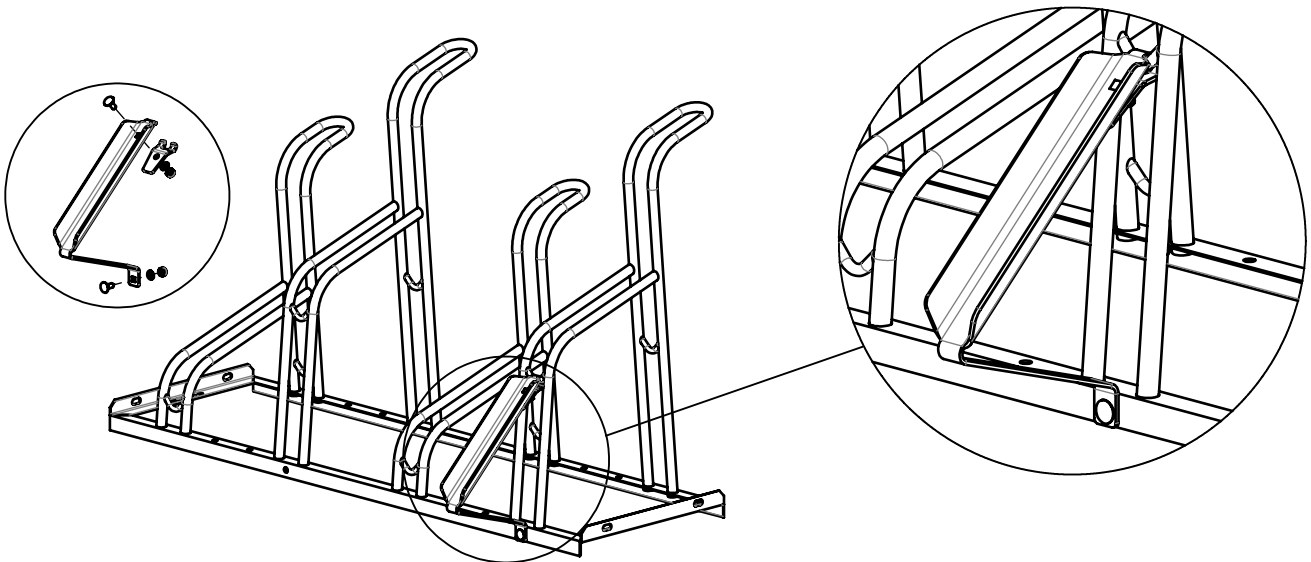
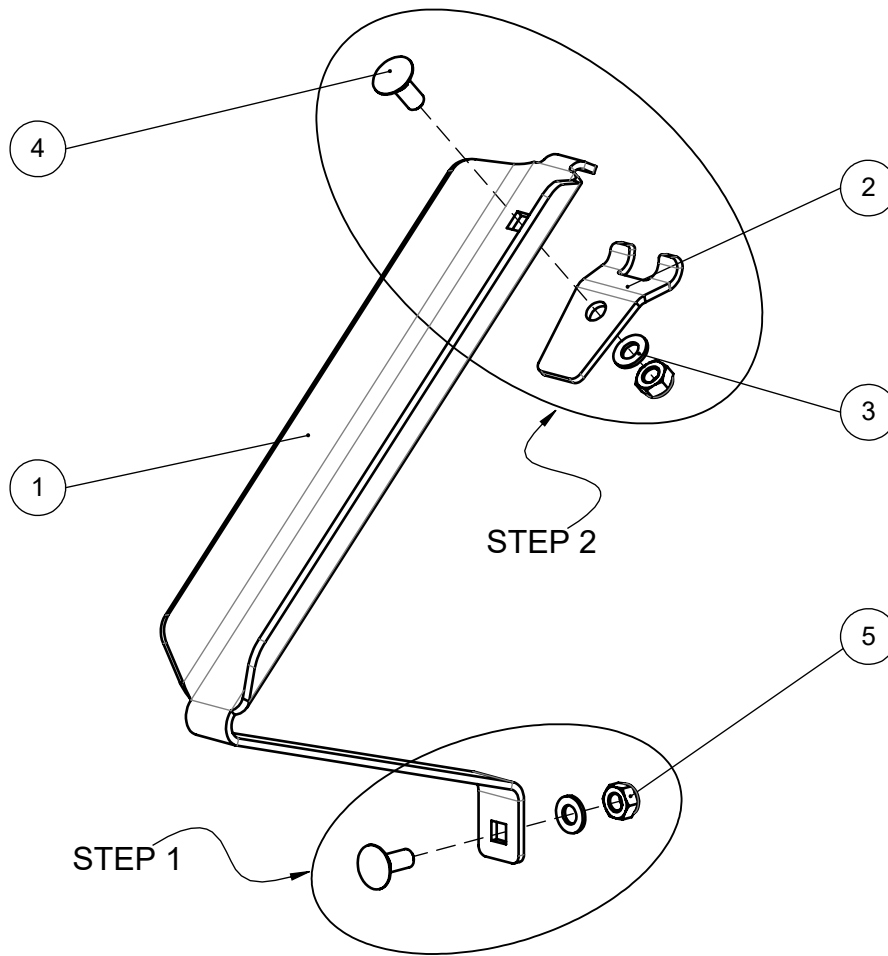
Pos. no.	Qty.	Art.no.	Remark	Name
1	1	30692010, 30692015, 30692014	-	Variant 3 - ECF assembly DS
2	2	51840030	DIN 603 - M10x25	Square necked bolt
3	2	54340000	DIN 985 - M10	Torque nut
4	2	54140000	DIN 125 - M10	Washer

Mounting instructions - Variant 3

ParkAssist



© Copyright VelopA B.V.
www.velopa.com
MAL



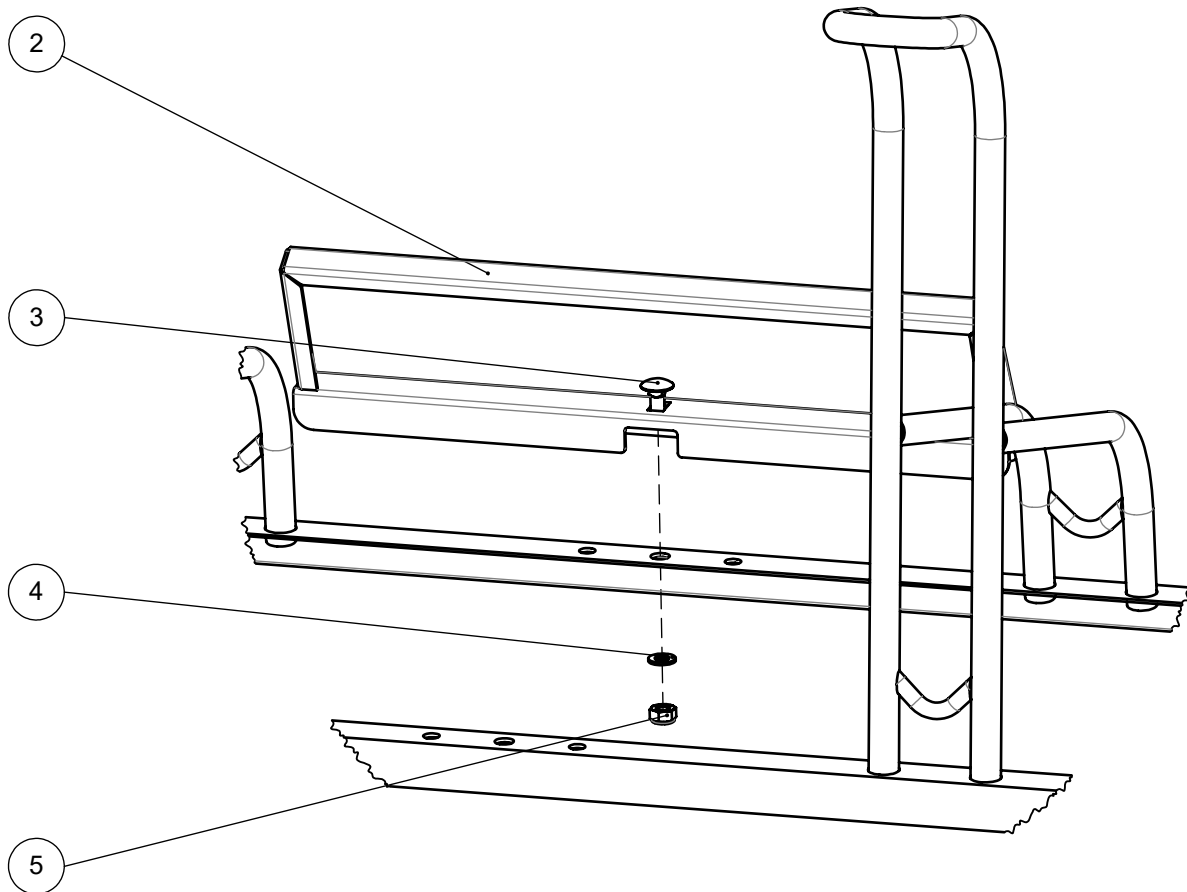
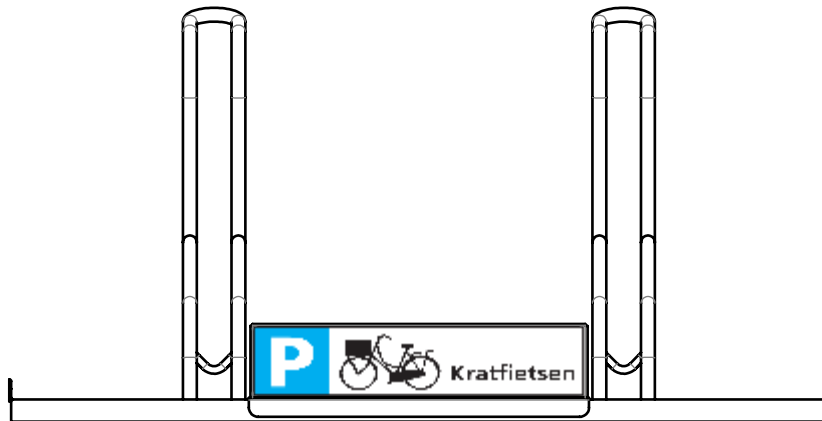
Pos. no.	Qty.	Art.no.	Remark	Name
1	1	30693000, 30693005, 30693006	-	ParkAssist ramp
2	1	30693010, 30693015, 30693016	-	ParkAssist lock plate
3	2	54140000	DIN 125 - M10	Washer
4	2	51840030	DIN 603 - M10x25	Square necked bolt
5	2	54340000	DIN 985 - M10	Torque nut

Mounting instructions - Variant 3

Sign for crate bikes



© Copyright VelopA B.V.
www.velopa.com
MAL



Pos. no.	Qty.	Art.no.	Remark	Name
2	1	30685000		Parking sign D-Bikes
3	1	51840020	DIN 603 - M10x20	square necked bolt
4	1	54140000	DIN 125 - M10	Washer
5	1	54340000	DIN 985 - M10	Torque nut