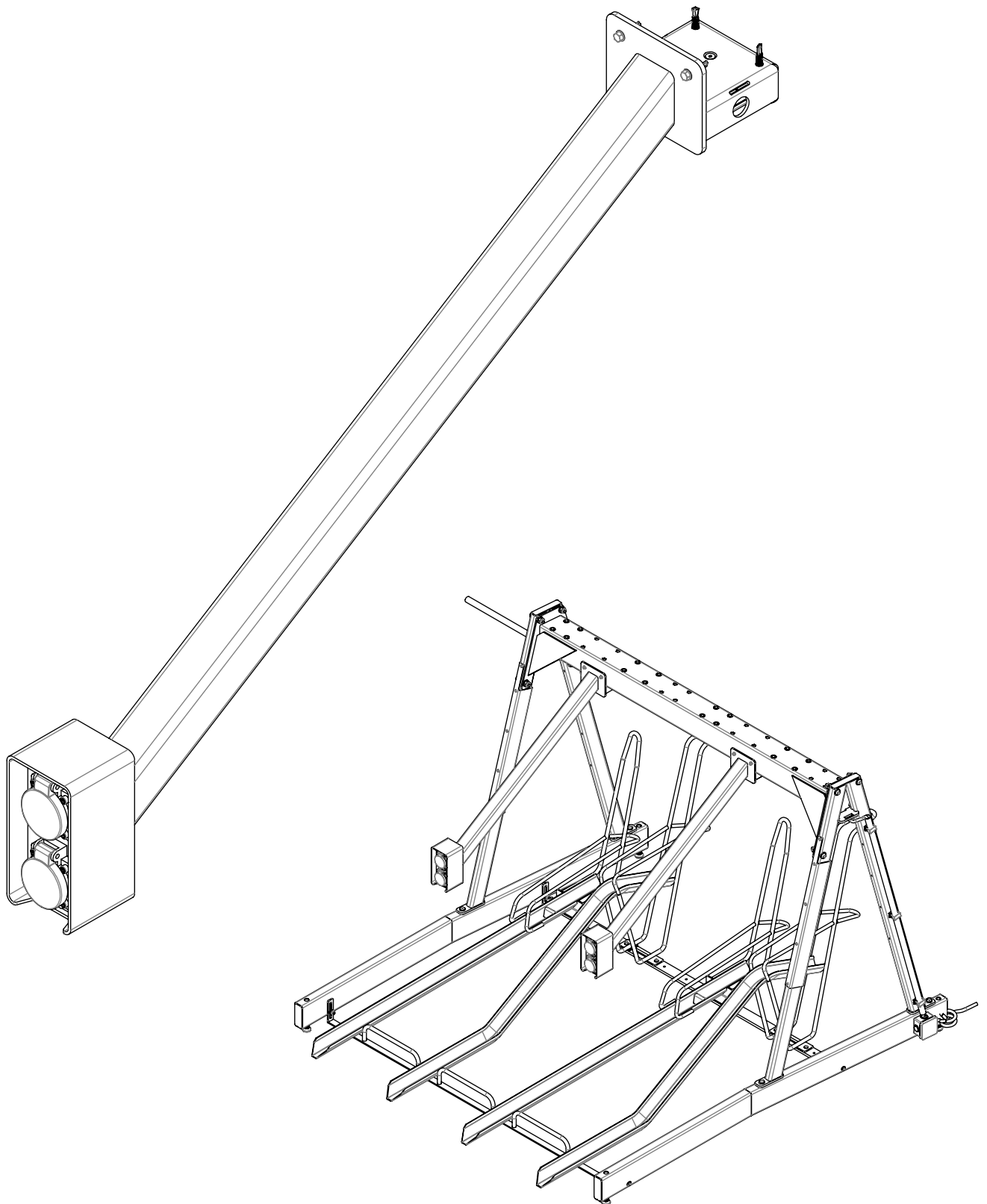
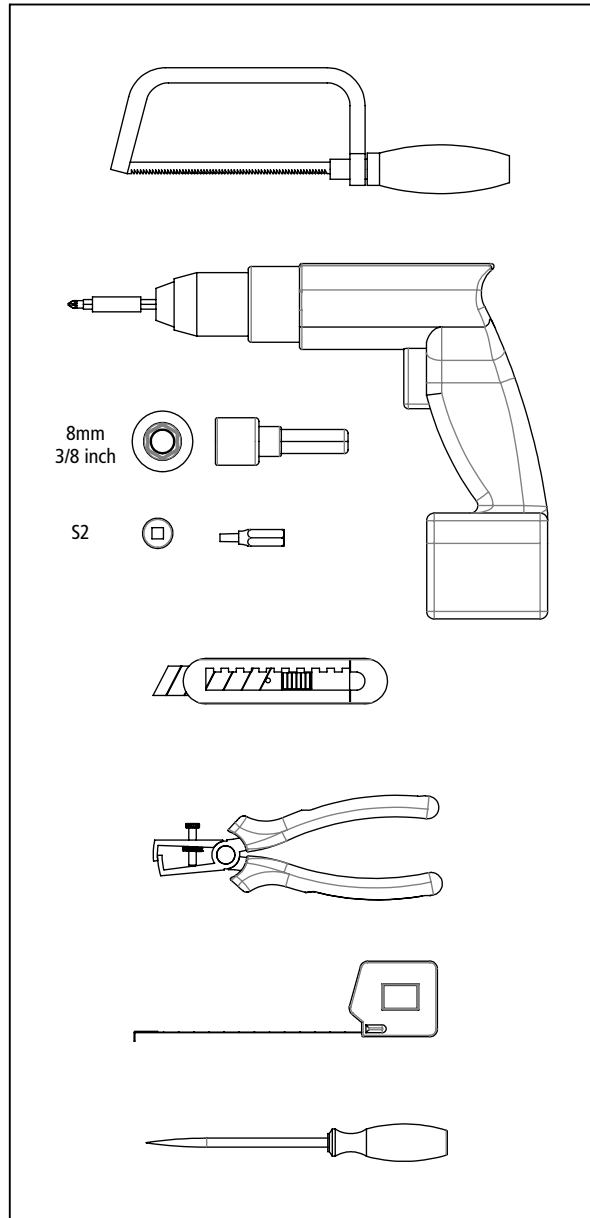
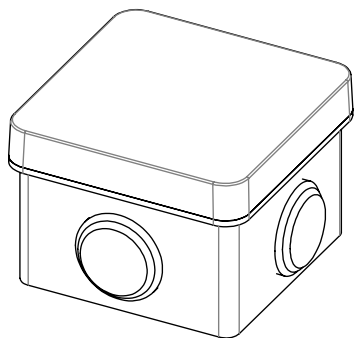


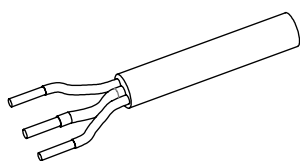
Two Tier Bike Charger



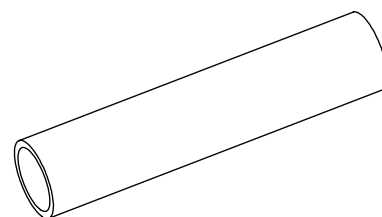




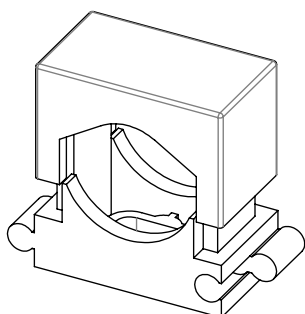
SCHNEIDER ENN05002 65x65x45



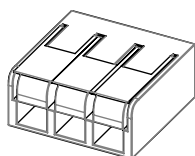
NEXANS YMKV 3x2.5MM



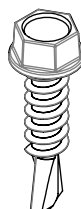
WAVIN PVC 19MM



OBO 2037/12-20



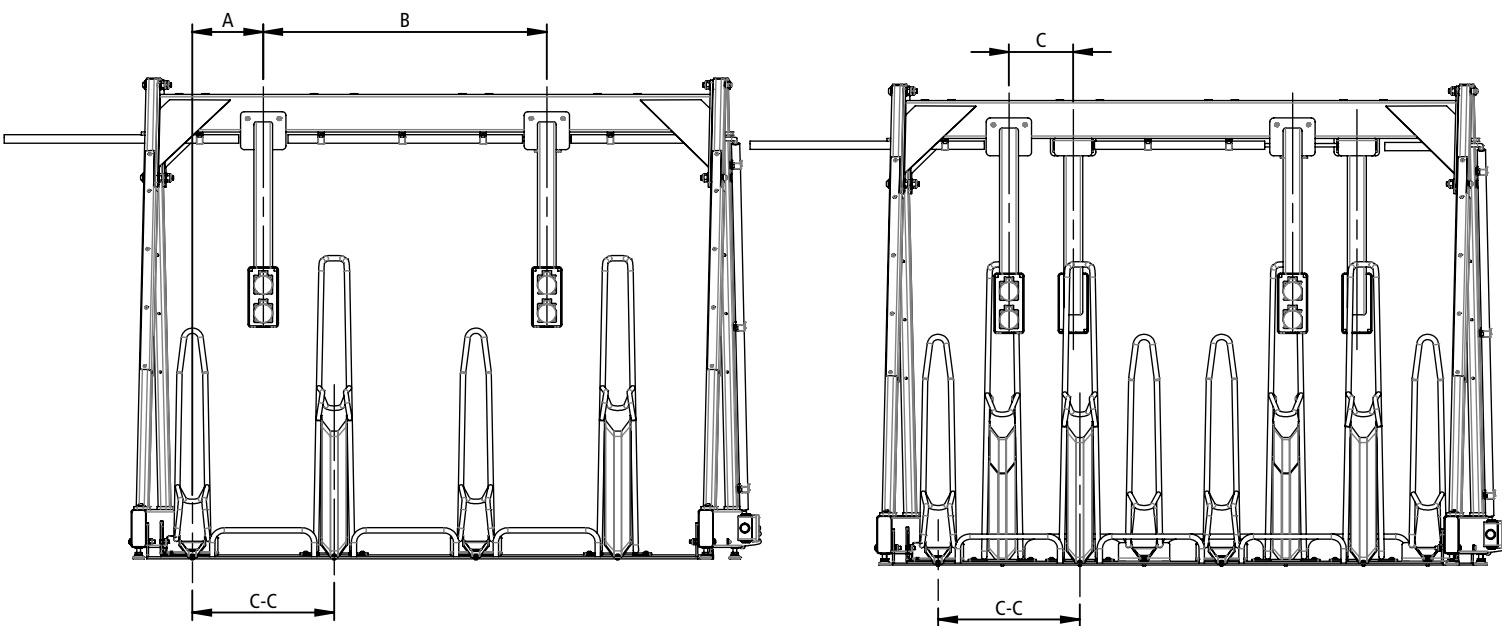
WAGO 221-413



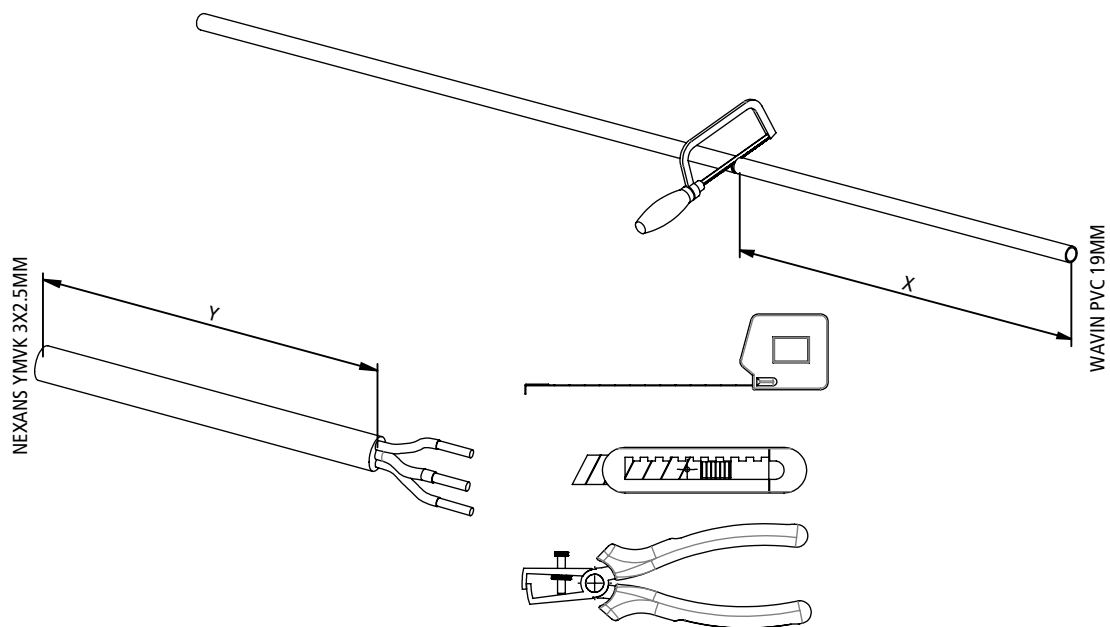
DIN 7504-6.3x25



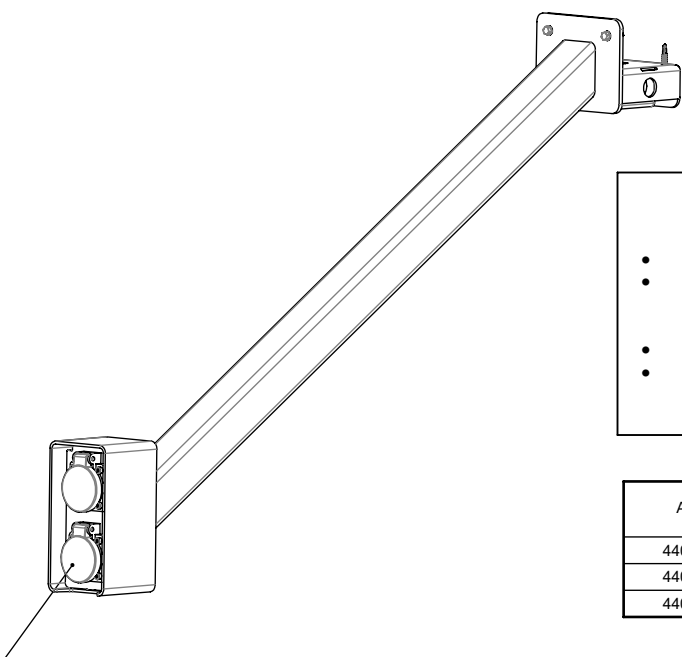
DIN 7504-N S2 4.2x16



| C-C | | A | | B | | C | |
|-------|---------|---------|--------|--------|---------|-------|---------|
| 375mm | 14.8 in | 187,5mm | 7.4 in | 750mm | 29.5 in | 170mm | 39.4 in |
| 400mm | 15.7 in | 200mm | 7.9 in | 800mm | 31.5 in | 245mm | 9.6 in |
| 500mm | 16.7 in | 250mm | 9.8 in | 1000mm | 39.4 in | 545mm | 21.5 in |



| C-C | | Single Sided | | | | Double Sided | | | |
|-------------|---------|--------------|----------|---------|----------|--------------|-----------|---------|----------|
| | | X | | Y | | X | | Y | |
| 375mm | 14.8 in | ±620mm | ±24.4 in | ±745mm | ±29.3 in | ±450mm | ±17.7 in | ±580mm | ±22.8 in |
| 400mm | 15.7 in | ±645mm | ±25.4 in | ±775mm | ±31.0 in | ±370mm | ±14.6 in | ±530mm | ±20.9 in |
| 500mm | 16.7 | ±740mm | ±29.1 in | ±890mm | ±35.0 in | ±400mm | ± 15.7 in | ±660mm | ±26.0 in |
| End Section | | ±1000mm | ±39.4 in | ±1200mm | ±47.2 in | ±1000mm | ±39.4 in | ±1200mm | ±47.2 in |



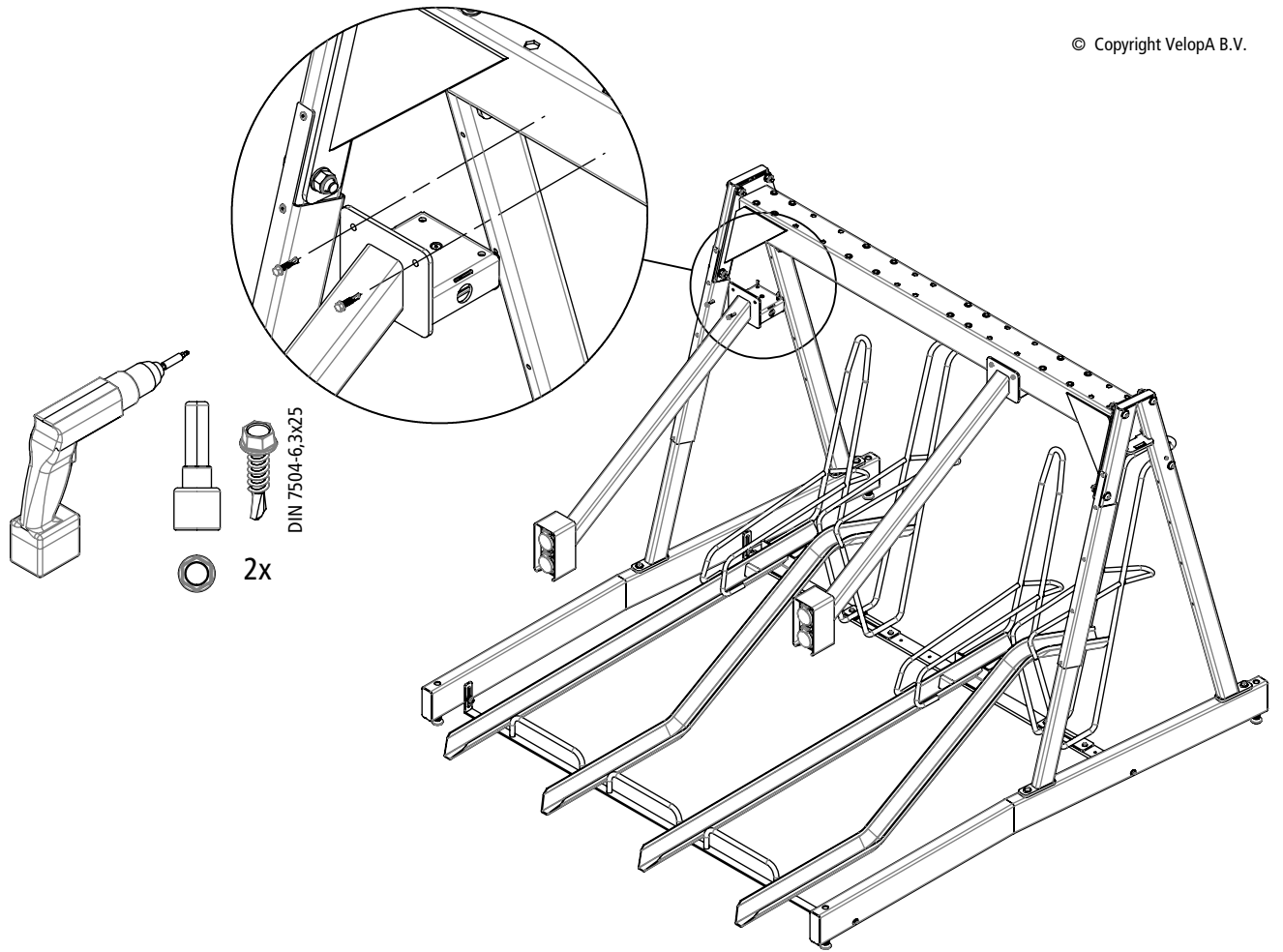
Warning:

- For single sided and double sided bike parking systems
- The electrical installation must be connected to a (max) 16A fuse with a residual current according to prevailing standard and a separate electric group.
- All electrical couplings are parallel.
- Connecting the system to the power grid must be done by a certified electrician.

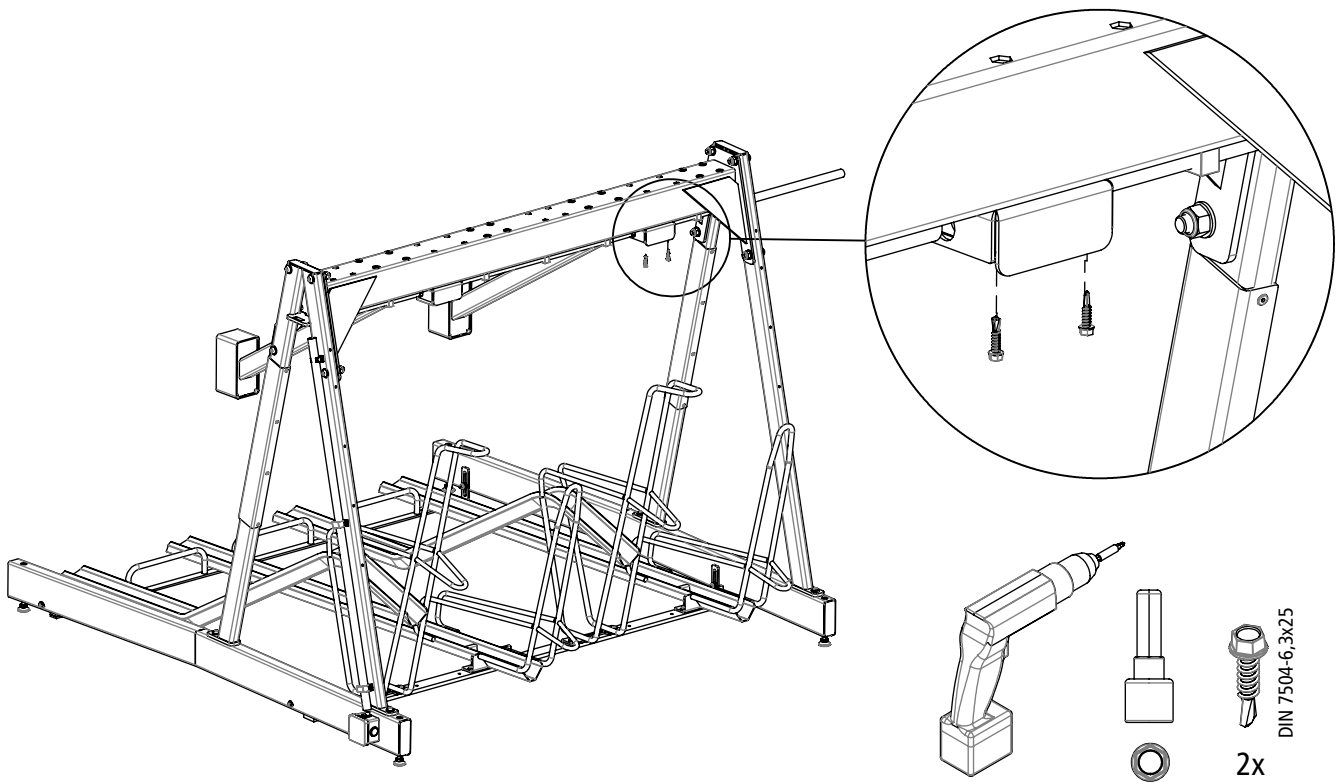
| Art.no | Estimated amount charge units | Max. Amp single group |
|----------|-------------------------------|-----------------------|
| 44090902 | 10 | 16A |
| 44090900 | 10 | 16A |
| 44090904 | 6 | 10A |

| | | | | |
|------------------------------------|--|--|--|--|
| <p>Type E Art. no.44090902</p> | | | | |
| <p>Type F Art. no.44090900</p> | | | | |
| <p>Type J Art. no.44090904</p> | | | | |

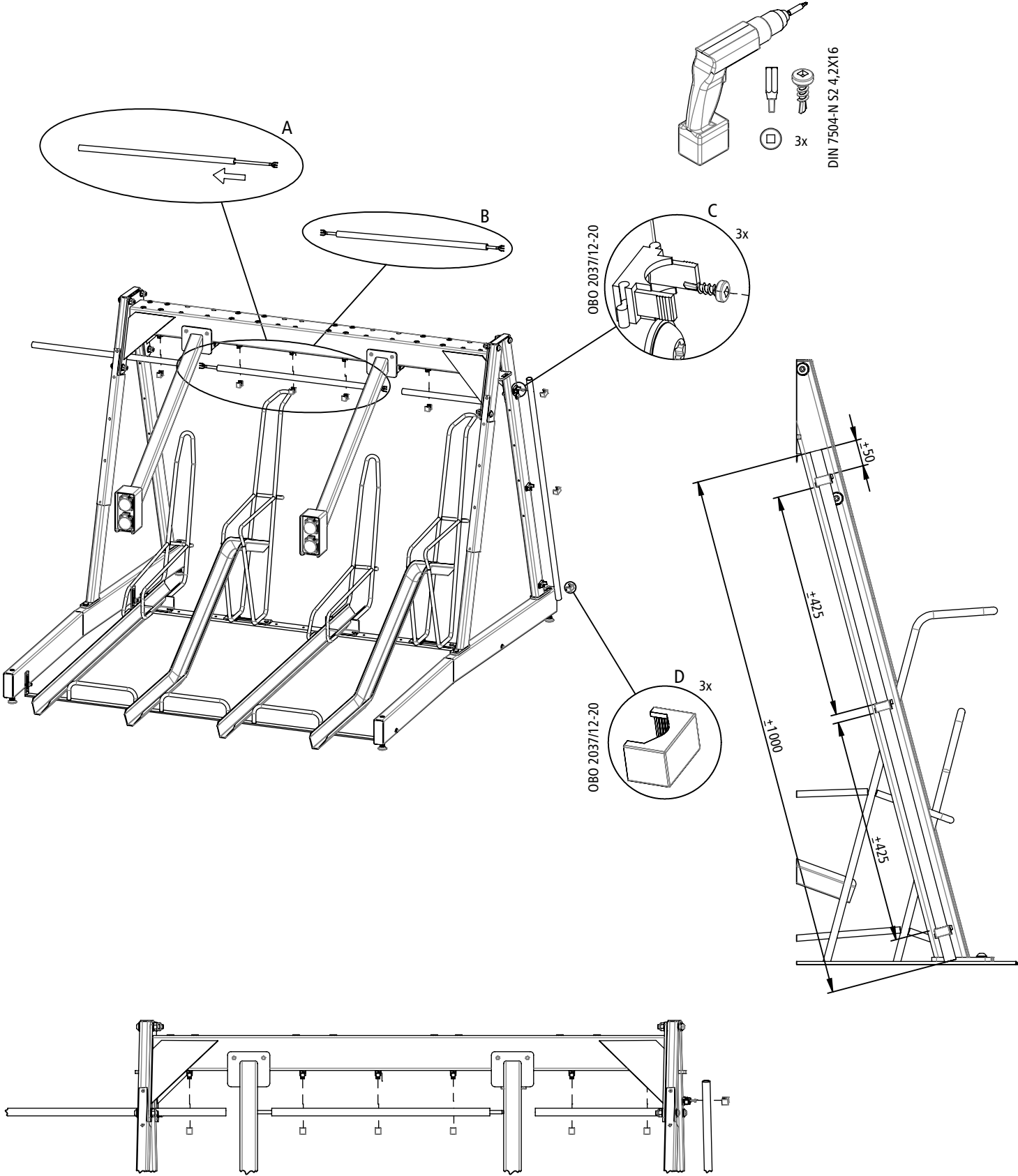
1.



2.

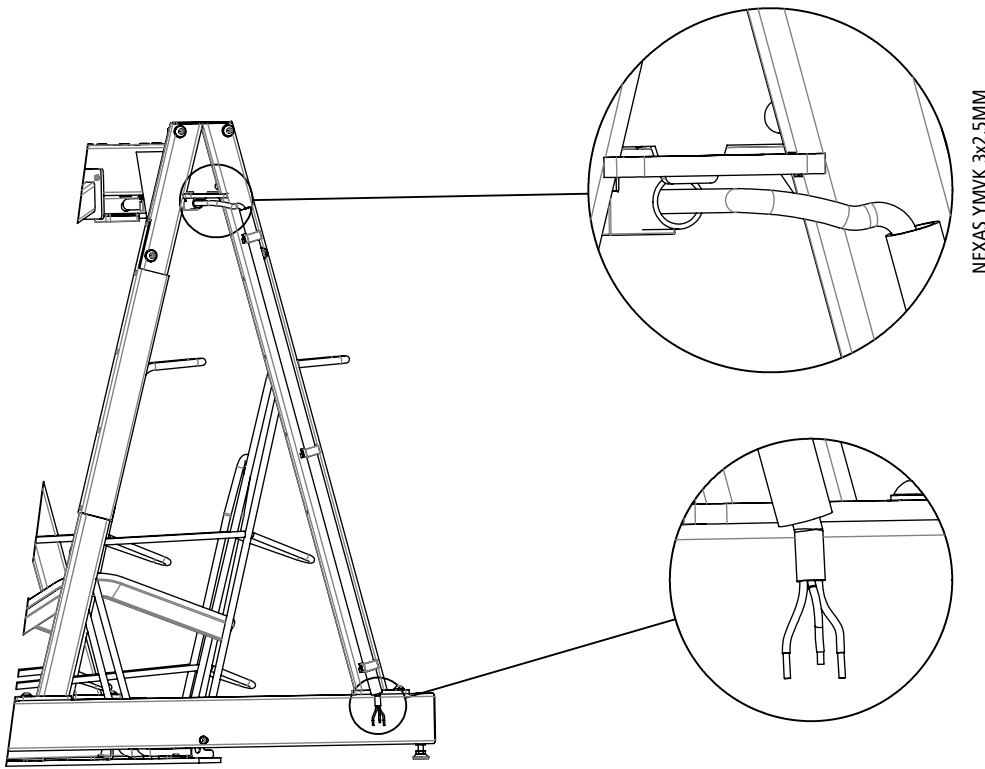


3.



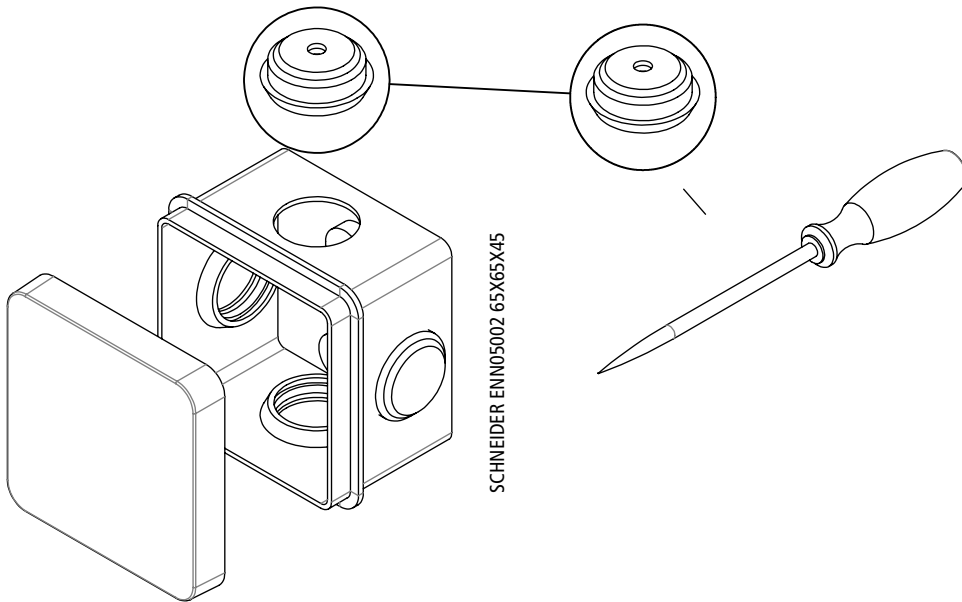
3x per tube

4.



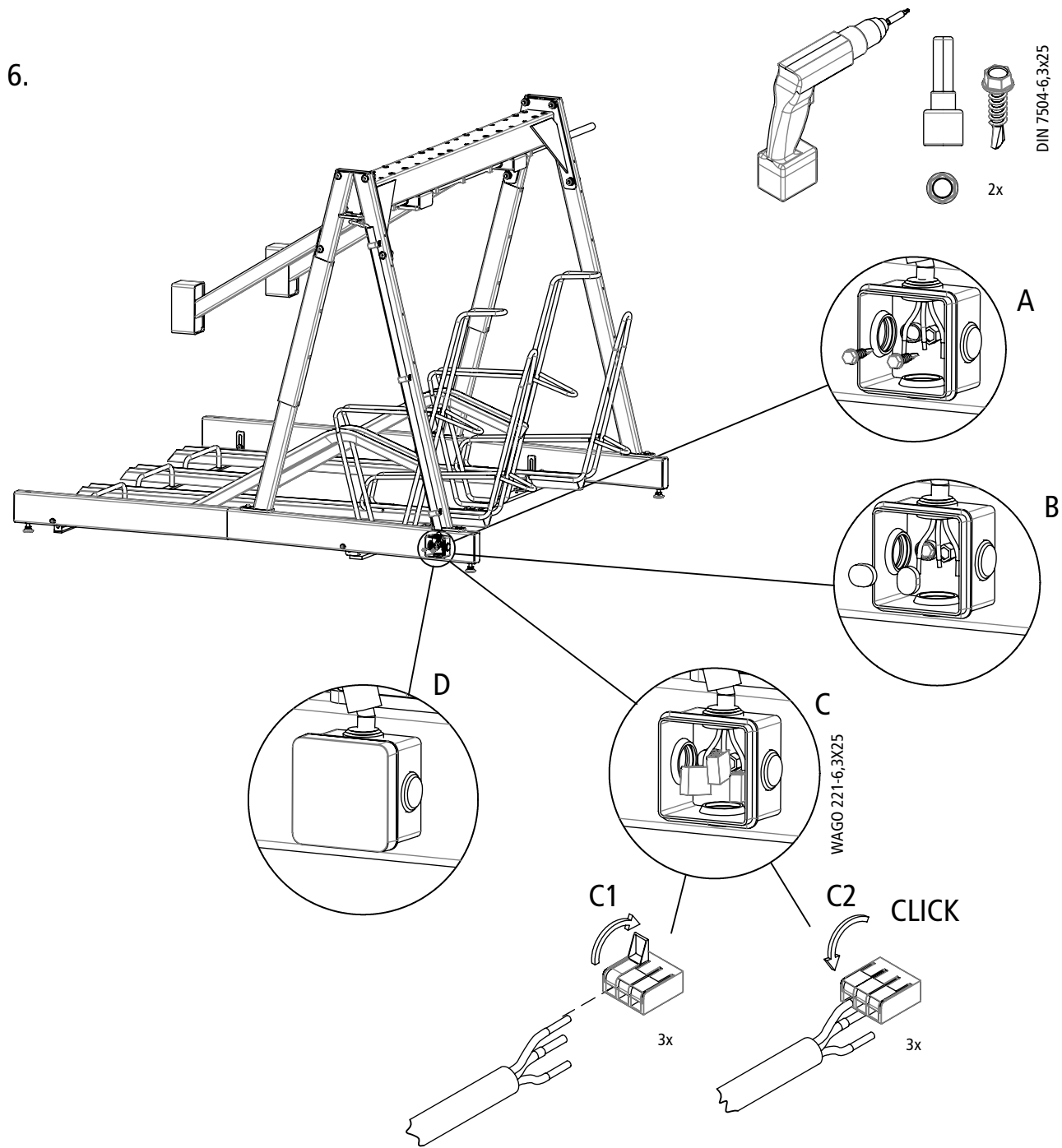
NEXAS YMVK 3x2,5MM

5.

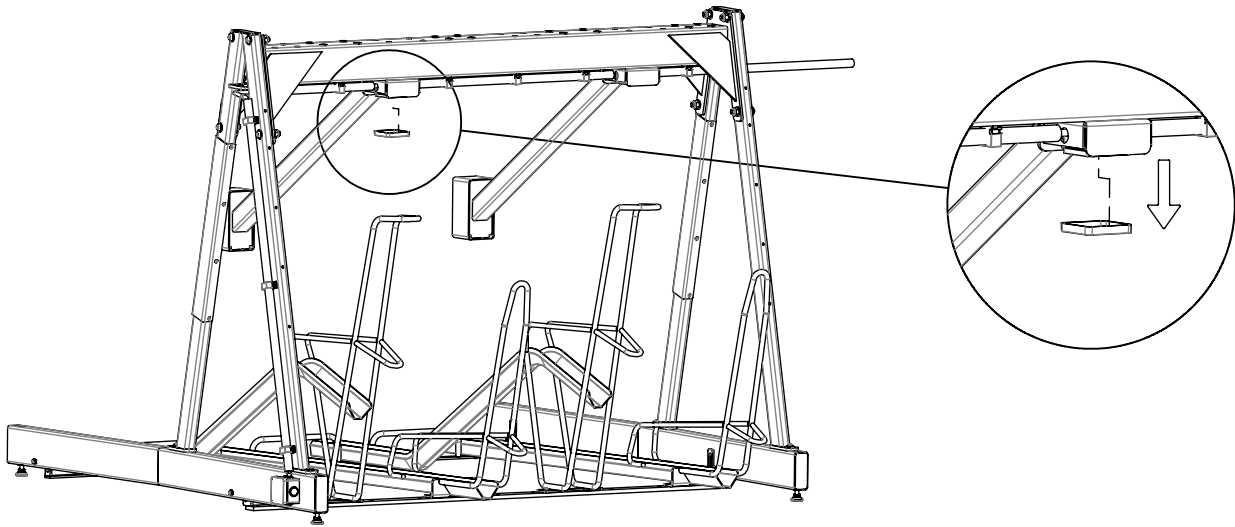


SCHNEIDER ENN05002 65X65X45

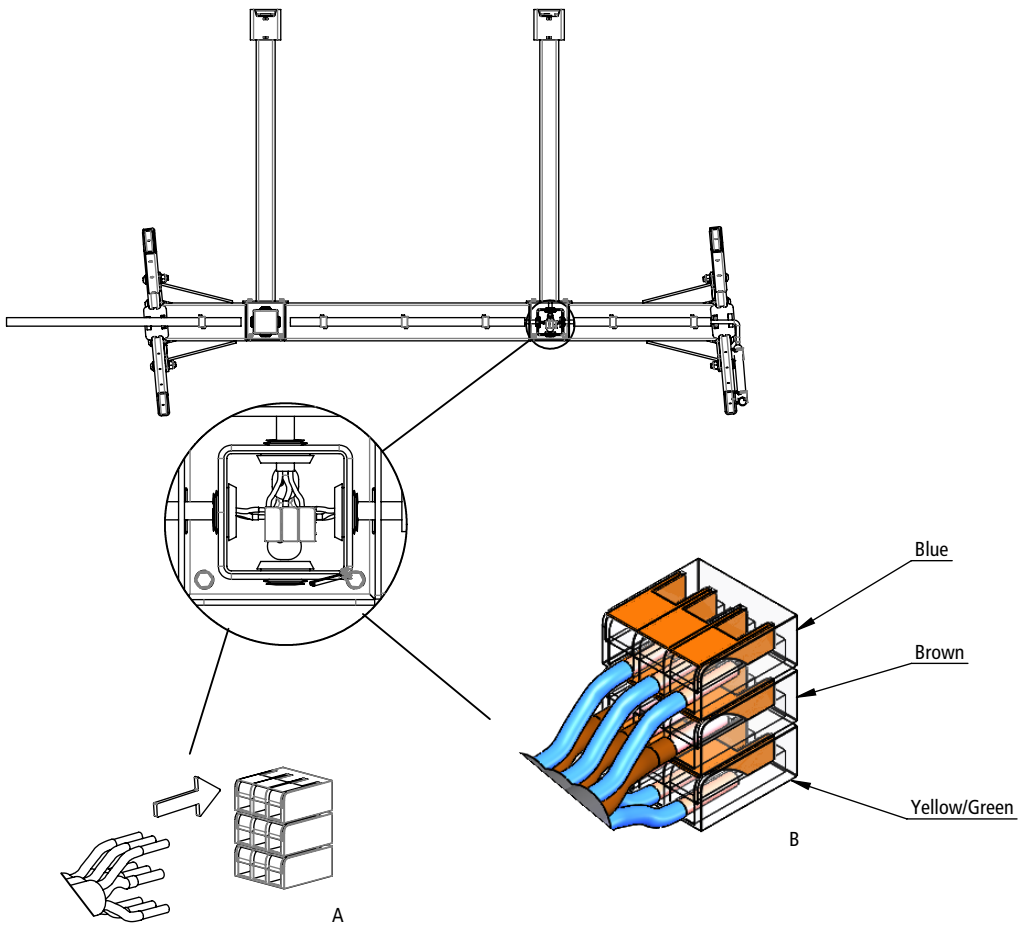
6.



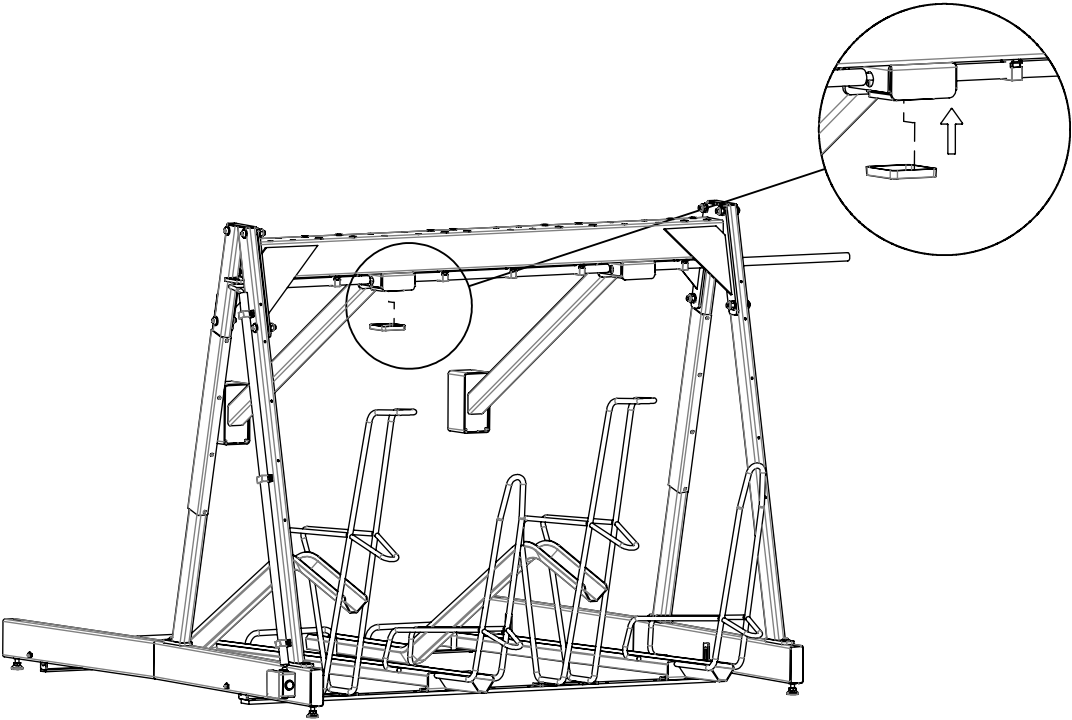
7.



8.



9.



10.

